

XPM-6100WG

(RoHS Compliant)

14.025Gb/s 850 nm XFP Multi-Mode Optical Transceiver for 16G FC Applications

FEATURES

- Up to 14.025 Gbps Bi-directional Data Links
- Complaint with XFP MSA
- Compliant with 16G FC 1600-SN
- Compliant with XFI 10G Serial Electrical Interface
- Link Distance at 14.025 Gbd
 - 35 m links with 50/125 μm MMF Cables
 - 100 m links with OM3 MMF Cables
 - 125 m links with OM4 MMF Cables
- 850 nm VCSEL Transmitter
- 2-Wire Interface for Integrated Digital Diagnostic Monitoring
- **Lineside Loopback Mode Supported**
- XFI Loopback Mode
- No reference clock required
- Low Power Dissipation < 1.2W
- **Only Required +3.3 V Power Supply**
- RoHS Compliant
- -5 to 70°C Case Operating Temperature
- Duplex LC Connector

APPLICATIONS

- Multi-rate 16G / 8G / 4G Fibre Channel
- 10G FCoE

DESCRIPTION

XPM-6100WG series multi-rate XFP transceiver is designed for serial optical data communications such as 16G/8G/4G Fibre Channel. It supports the 16Gbps transmission on both 50/125 μm and 62.5/125 μm MMF.

The transceiver consists of two sections: The transmitter section consists of a directly modulated 850 nm VCSEL, driver and signal conditioner. The receiver section incorporates a PIN photodiode integrated with a trans-impedance preamplifier (TIA) and signal conditioner.

The module is with the XFP 30-pin connector to allow hot plug capability. Integrated Tx and Rx signal conditioners provide high jitter-tolerance for full XFI compliance and no external reference clock required. The internally ac coupled high speed serial I/O simplifies interfacing to external circuitry. Only single 3.3V power supply is needed. The optical output can be disabled by LVTTTL logic high-level input of TX_DIS. Loss of signal (RX_LOS) output is provided to indicate the loss of an input optical signal of receiver.

A serial EEPROM in the transceiver allows the user to access transceiver digital diagnostic monitoring and configuration data via the 2-wire XFP Management Interface. This interface uses a single address, A0h, with a memory map divided into a lower and upper area. Basic digital diagnostic data is held in the lower area while specific data is held in a series of tables in the high memory area.

LASER SAFETY

This transceiver is a Class 1 laser product. It complies with IEC-60825 and FDA 21 CFR 1040.10 and 1040.11. The transceiver must be operated within the specified temperature and voltage limits. The optical ports of the module shall be terminated with an optical connector or with a dust plug.

ORDER INFORMATION

P/No.	Bit Rate (Gb/s)	FC	Distance (m)	Wavelength (nm)	Package	Connector	Temp (°C)	RoHS Compliant
XPM-6100WG	14.025	16G/8G/4G	35/100/125*	850 VCSEL	XFP with DMI	LC	-5 to 70	Yes

*: 35m for OM2 MMF , 100m for OM3 MMF and 125 m for OM4 MMF. All tested at 14.025 Gb/s.

Absolute Maximum Ratings					
Parameter	Symbol	Min	Max	Units	Notes
Storage Temperature	Tstg	-40	85	°C	
Operating Case Temperature	Topr	-5	70	°C	
Relative Humidity	RH	0	85	%	Non condensing
Power Supply Voltage	V _{CC3}	0	3.6	V	
Input Voltage	---	GND	V _{cc3}	V	

Recommended Operating Conditions					
Parameter	Symbol	Min	Typ	Max	Units / Notes
Power Supply Voltage	V _{CC3}	3.13	3.3	3.47	V
Power Supply Current (@3.3V)	I _{CC3}		240	400	mA
Power Dissipation	P _D			1.2	W
Operating Case Temperature	Topr	0		70	°C
Data Rate		4.25	14.025		Gb/s

Transmitter Optical Specifications (T _{opr} = 0 to 70°C, V _{cc3} = 3.3V ±5%)						
Parameter	Symbol	Min	Typ	Max	Units	Notes
Average Launch Power	P _{O, Avg}	-7.8			dBm	1 / Average
Output Center Wavelength	λ _c	840	850	860	nm	
Output Spectrum Width	σ _λ			0.59	nm	RMS (σ)
Optical Modulation Amplitude @4.25 Gb/s	OMA	247			μW	
Optical Modulation Amplitude @8.5 Gb/s	OMA	302			μW	
Optical Modulation Amplitude @14.025 Gb/s	OMA	331			μW	
Vertical Eye Closure Penalty @14.025 Gb/s	CEVPQ			2.56	dB	
Relative Intensity Noise	RIN			-128	dB/Hz	

1. Max Po: Class 1 Laser Safety limit per CDRH and IEC/EN 60825. Output power is power coupled into a 50/125 μm multi-mode fiber.

Receiver Optical Specifications (T _{opr} = 0 to 70°C, V _{cc3} = 3.3V ±5%)						
Parameter	Symbol	Min	Typ	Max	Units	Notes
Receiver OMA Sensitivity @4.25 Gb/s	RxSENS			61	μW	2
Receiver OMA Sensitivity @8.5 Gb/s	RxSENS			76	μW	2
Receiver OMA Sensitivity @14.025 Gb/s	RxSENS			89	μW	2
Stress Receiver OMA Sensitivity @14.025 Gb/s	Sens			-7.7	dBm	2
Receiver Overload	P _{MAX}	0	---		dBm	
LOS -- Deasserted	LOS _D	---	---	-13	dBm	Transition: low to high
LOS -- Asserted	LOS _A	-24	---	---	dBm	Transition: high to low
LOS -- Hysteresis		1	---		dB	
Wavelength of Operation	λ _c	770		860	nm	
Optical Return Loss	ORL			-12	dB	

2. Measured with worst ER; BER=1E-12 and PRBS 2³¹-1.

Electrical Characteristics						
Parameter	Symbol	Min	Typ	Max	Units	Notes
High-Speed Signal (CML) Interface Specification						
Input Data Rate		4.25	14.025		Gb/s	
Differential Input Impedance	R _{in}		100		Ω	
Differential Data Input Amplitude		150		700	mV _{pp}	Internally AC coupled
Output Data Rate		4.25	14.025		Gb/s	
Differential Output Impedance	R _{out}		100		Ω	
Differential Data Output Amplitude		350	600	700	mV _{pp}	Internally AC coupled
Low-Speed Signal (LVTTTL) Interface Specification						
Input High Voltage		2.0		V _{cc}	V	
Input Low Voltage		GND		0.8	V	
Output High Voltage		2.4		V _{cc}	V	
Output Low Voltage		GND		0.5	V	
Reference Clock (LVPECL) Interface Specification						
No reference clock						

Transceiver Timing Characteristics						
Parameter	Symbol	Min	Typ	Max	Units	Notes
TX_DIS Assert Time	t _{off}			10	μs	
TX_DIS Negate Time	t _{on}			2	ms	
Time to Initialize	t _{init}			300	ms	
Interrupt Assert Delay	interrupt _{on}			200	ms	
Interrupt Negate Delay	interrupt _{off}			500	μs	
P_Down/PST Assert Delay	P_Down/RST _{on}			100	μs	
P_Down Negate Delay	P_Down/RST _{off}			300	ms	
Mod_NR Assert Delay	Mod_nr _{on}			1	ms	
Mod_NR Negate Delay	Mod_nr _{off}			1	ms	
Mod_Desel Assert Time	T _{Mod_Desel}			2	ms	
Mod_Desel De-Assert Time	T _{Mod_Sel}			2	ms	
P_Down Reset Time	T _{reset}	10			μs	
RX_LOS Assert Delay	T _{Los_{on}}			100	μs	
RX_LOS Negate Delay	T _{Los_{off}}			100	μs	
Serial ID Clock Rate	f _{SCL}	0		400	kHz	

LINK LENGTH

Parameter	Symbol	Min	Typ	Max	Units	Note
Fiber Length on 50/125 μm MMF	L			150	m	1
				50		2
				35		3
Fiber Length on 50/125 μm high-bandwidth (OM3) MMF	L			380	m	1
				150		2
				100		3

1. At 4.25 Gb/s Fibre Channel data rate.
2. At 8.5 Gb/s Fibre Channel data rate.
3. At 14.025 Gb/s Fibre Channel data rate.

MANAGEMENT INTERFACE

The structure of the memory map is shown in Figure 1, which is accessible over a 2-wire serial interface at the 8-bit address 1010000X (A0h). The normal 256 byte I2C address space is divided into low and upper blocks of 128 Bytes. The lower block of 128 Bytes is always directly available and is used for the diagnostics and control function. Multiple blocks of memories are available in the upper 128 Bytes of the address space. These are individually addressed through a table select Byte which the user enters into a location in the lower address space. Thus, there is a total available address space of 128*256 = 32 Kbytes in this upper memory space. The contents of Table 01h are listed in Table 1 below. Please refer SFF INF-8077i (Revision 4.5) for detailed information.

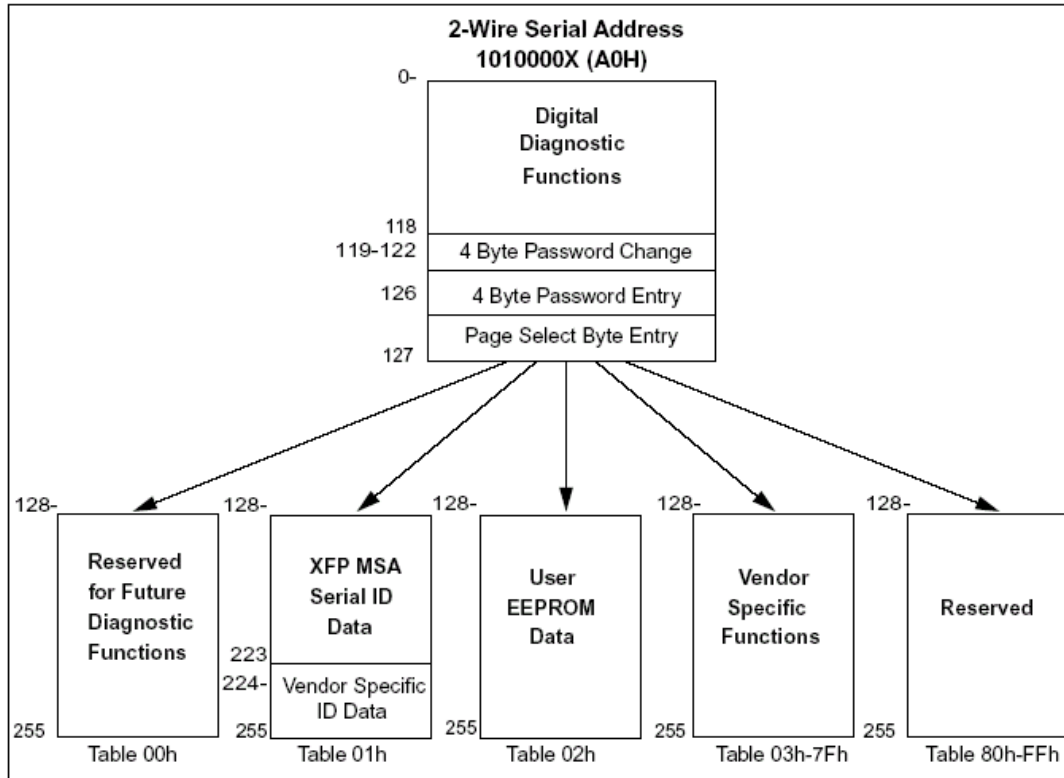


Figure 1. 2-wire Serial Digital Diagnostic Memory Map

Table 1 Monitoring Specification

Data Address	Parameter	Accuracy
96 ~ 97	Temperature	± 3°C
98 ~ 99	Reserved	
100 ~ 101	Tx Bias	± 10%
102 ~ 103	Tx Power	± 2dB
104 ~ 105	Rx Power	± 2dB
106 ~ 107	Vcc3	± 3%

CONNECTION DIAGRAM

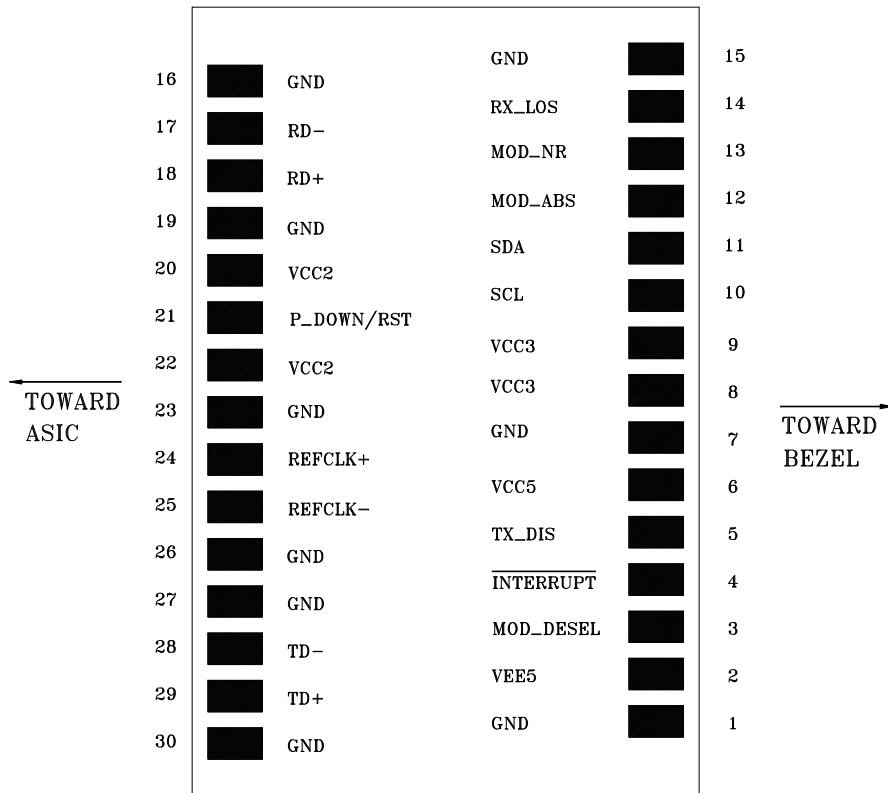


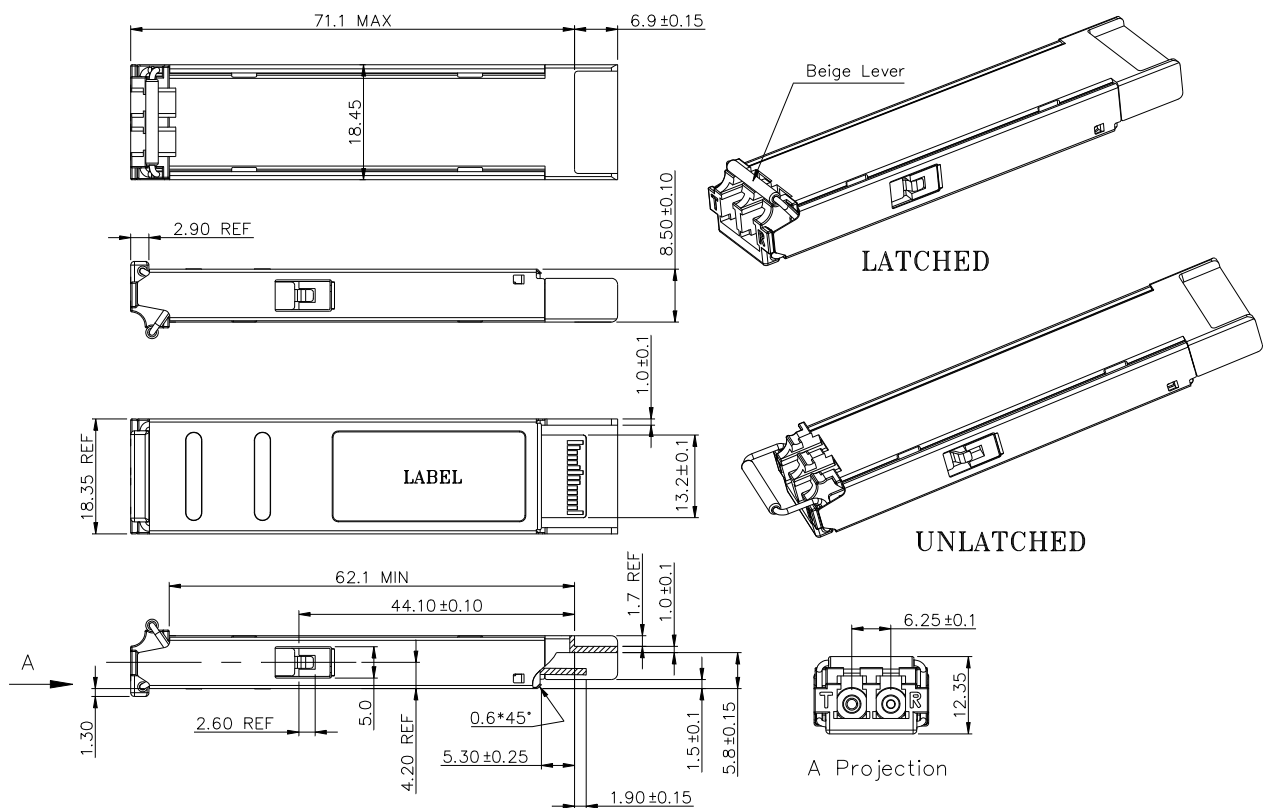
Table 2 PIN Description

PIN	Logic	Signal Name	Description	Note
1		GND	Module Ground	1
2		VEE5	-5.2V Power Supply (Not required)	3
3	LVTTL-I	Mod_Desel	Module De-select; When held low allows module to respond to 2-wire serial interface	
4	LVTTL-O	Interrupt	Interrupt; Indicates presence of an important condition which can be read over the 2-wire serial interface	2
5	LVTTL-I	TX_DIS	Transmitter Disable; Turns off transmitter laser output	
6		VCC5	+5V Power Supply (Not required)	3
7		GND	Module Ground	1
8		VCC3	+3.3V Power Supply	
9		VCC3	+3.3V Power Supply	
10	LVTTL-I/O	SCL	Serial 2-wire interface clock	2
11	LVTTL-I/O	SDA	Serial 2-wire interface data line	2
12	LVTTL-O	Mod_Abs	Indicates Module is not present. Grounded in the Module	2
13	LVTTL-O	Mod_NR	Module Not Ready; Indicating Module Operational Fault	2
14	LVTTL-O	RX_LOS	Receiver Loss Of Signal Indicator	2
15		GND	Module Ground	1
16		GND	Module Ground	1
17	CML-O	RD-	Receiver Inverted Data Output	
18	CML-O	RD+	Receiver Non-Inverted Data Output	
19		GND	Module Ground	1
20		VCC2	+1.8V Power Supply (Not required)	3

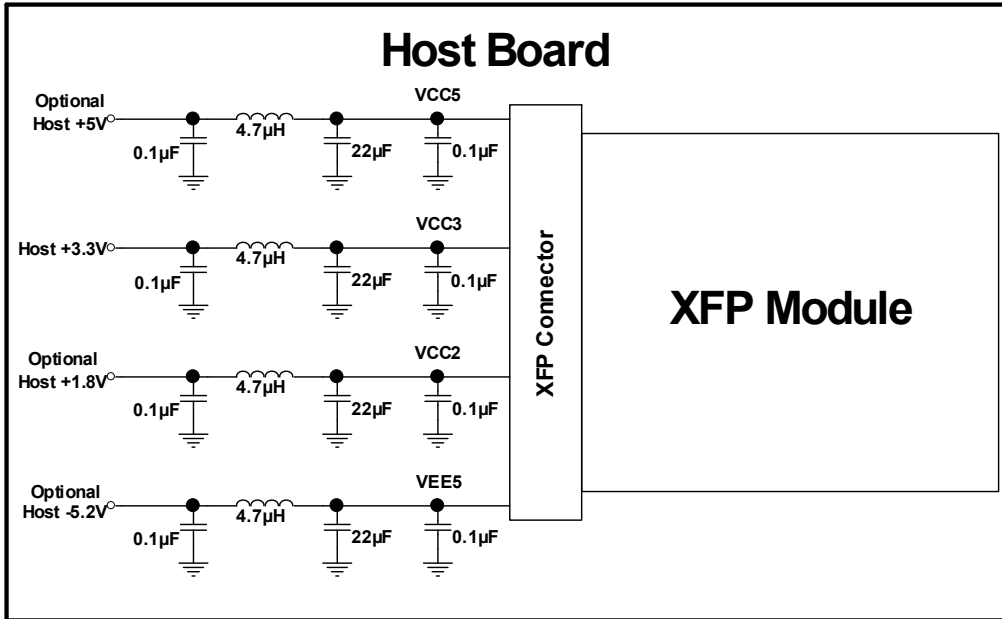
21	LVTTL-I	P_Down/RST	Power down; When high, requires the module to limit power consumption to 1.5W or below. 2-Wire serial interface must be functional in the low power mode. Reset; The falling edge initiates a complete reset of the module including the 2-wire serial interface, equivalent to a power cycle.	
22		VCC2	+1.8V Power Supply (Not required)	3
23		GND	Module Ground	1
24	PECL-I	RefCLK+	Reference Clock Non-Inverted Input, AC coupled on the host board. (Not used. Internally terminated to 50 ohm (100 ohm diff.))	4
25	PECL-I	RefCLK-	Reference Clock Inverted Input, AC coupled on the host board. (Not used. Internally terminated to 50 ohm (100 ohm diff.))	4
26		GND	Module Ground	1
27		GND	Module Ground	1
28	CML-I	TD-	Transmitter Inverted Data Input	
29	CML-I	TD+	Transmitter Non-Inverted Data Input	
30		GND	Module Ground	1

1. Module ground pins GND are isolated from the module case and chassis ground within the module.
2. Shall be pulled up with 4.7K-10Kohms to a voltage between 3.15V and 3.45V on the host board.
3. These PINs are open within module.
4. A Reference Clock input is not required. If present, it will be ignored.

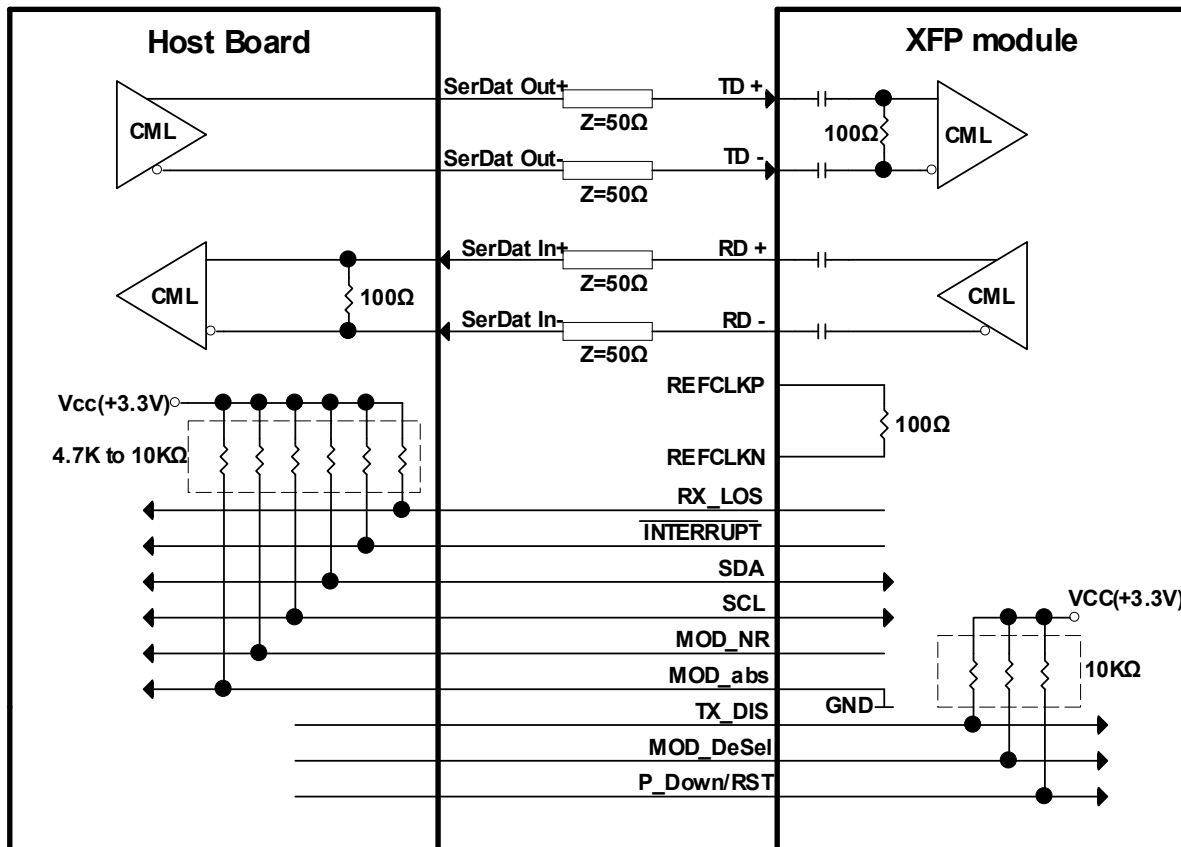
MECHANICAL SPECIFICATION (UNITS IN MM)



RECOMMENDED POWER CIRCUIT SCHEMATIC



RECOMMENDED INTERFACE CIRCUIT

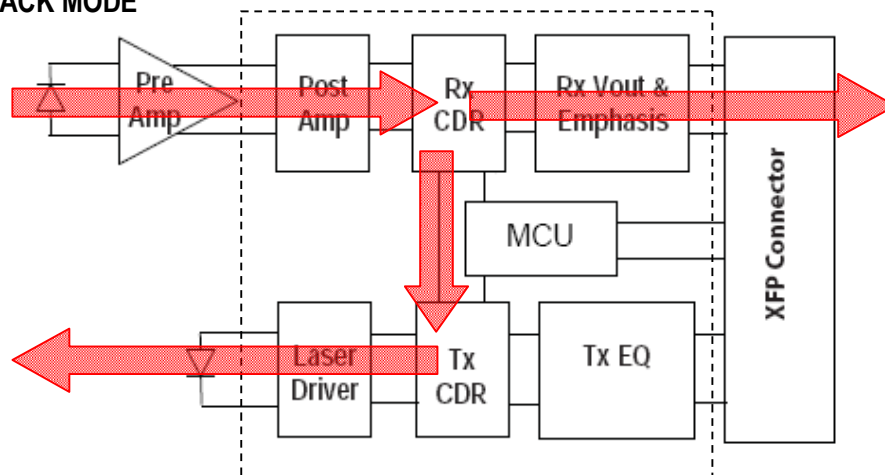


LOOPBACK FUNCTION (I2C CONTROLLED)

Byte	Bit	Name	Description
1	4-7	Data Rate Control	Ignored.
	3	Reserved	Reserved.
	2	Lineside Loopback	Power up to 0b. When Lineside Loopback is enabled, Lineside Loopback routes incoming XFP Rx optical data to both Tx optical output and Rx electrical output. (Loopback Module Optical Input to Optical and Electrical Output when enabled.)
	1	XFI Loopback	Power up to 0b. When XFI Loopback is enabled, XFI Loopback routes incoming XFP Tx electrical data to both Rx electrical output and Tx optical output. (Loopback Module XFI Input to Electrical and Optical Output when enabled.)
	0	Signal Conditioner Control	Ignored. (Normal REFCLK mode only supported.)

Bit	Value (binary)	Mode	Path
2:1	00	Normal	Normal Operation
	01 or 11	XFI Loopback	Tx EQ => Tx CDR => Rx CDR and Laser Driver => Rx Vout & Emphasis
	10	Lineside Loopback	Pre Amp => Post Amp => Rx CDR => Tx CDR and Rx Vout & Emphasis => Laser Driver

LINESIDE LOOPBACK MODE



XFI LOOPBACK MODE

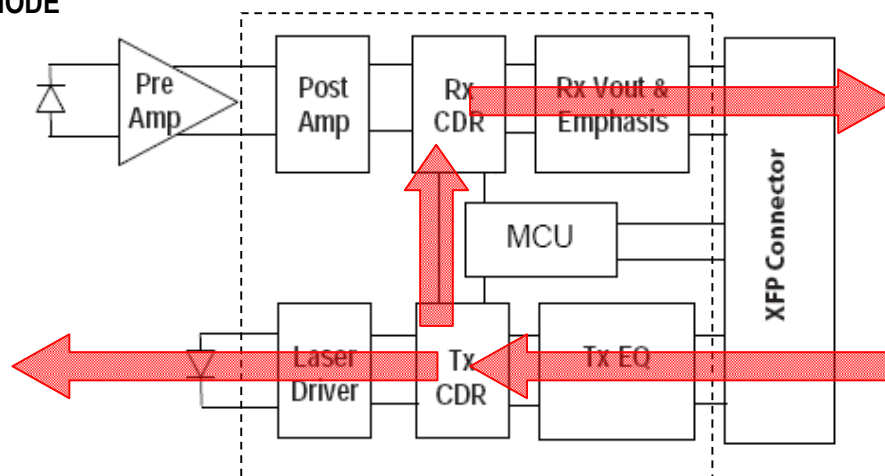


Table 3 Serial ID Memory Contents (Table 01h)

Address	Field Size (Byte)	Name of Filed	Description	Hex
128	1	Identifier	XFP	06
129	1	Ext. Identifier	power consumption <1.5W, no Ref Colck required	10
130	1	Connector type	LC connector	07
131~138	8	Transceiver	10GBASE-SR/SW, 1200-MX-SN-I	88 80 00 00 00 00 00 00
139	1	Encoding	64B/66B, NRZ	90
140	1	BR-Min	4.25Gbps	2B
141	1	BR-Max	14.025Gbps	8C
142	1	length (SMF)-Km	0	00
143	1	Length (E-50µm)	100m	32
144	1	Length (50 µm)	35m	23
145	1	Length (62.5 µm)	15m	0F
146	1	Length (Copper)	0 m	00
147	1	Device Tech	850 nm VCSEL, PIN detector	00
148~163	16	Vendor name	OPTOWAY	4F 50 54 4F 57 41 59 20 20 20 20 20 20 20 20 20
164	1	CDR Support	CDR supports 9.95G ~ 11.3G &14.025G, Lineside Loopback, & XFI Loopback	FB
165~167	3	Vendor OUI		00 0E FA
168~183	16	Vendor PN	XPM-6100WG	58 50 4D 2D 36 31 30 30 57 47 20 20 20 20 20 20
184~185	2	Vendor rev	ASCII ("31 61" means 1a revision)	xx xx
186~187	2	Wavelength	850 nm	42 68
188~189	2	Wavelength Tolerance	+/- 10nm	07 D0
190	1	Max Case Temp	70deg	46
191	1	CC_BASE	Check sum of Byte 128 -- 190	
192~195	4	Power Supply	1.2Wmax, 1.2W pd_max , 400mA 3.3V	3C 78 04 00
196~211	16	Vendor SN	ASCII	xx xx xx xx xx xx xx xx xx xx xx xx xx xx xx xx
212~219	8	Date code	ASCII Year (2 Byte), Month (2 Byte), Day (2 Byte)	xx xx xx xx xx xx 20 20
220	1	Diagnostic Monitoring Type	No BER Support, Average Power	08
221	1	Enhanced Options	Optional Soft TX_DISABLE implemented, Optional Soft P_down implemented	60
222	1	Aux Monitoring	AUX1 for Vcc3.	70
223	1	CC_EXT	Check sum of Byte 192 -- 222	
224~255	32	Vendor Specific		Reserved

Note: Specifications subject to change without notice.

REVISION HISTORY

Version	Subject	Release Date
1.0	Initial datasheet	2012/12/01