

\*\*\*\*\*  
**SPS-2511W-DXXG / SPS-2511BW-DXXG / SPS-2511AW-DXXG (RoHS Compliant)**  
**25GE / 100GHz DWDM / 10 km Digital Diagnostic SFP28 LC SINGLE-MODE TRANSCEIVER**  
\*\*\*\*\*

## FEATURES

- Up to 25.78 Gbps Bi-directional Data Links
- Complaint with SFF-8402 SFP28 MSA
- Compliant with 25G Ethernet
- Support CPRI Option 10 @ 24.33Gbps
- Built-in dual CDR
- Distance up to 10 km
- Temperature-stabilized DWDM EML Transmitter
- 100 GHz ITU Grid, C Band
- SFF-8472 Digital Diagnostic Function
- AC/AC Coupling according to MSA
- Single +3.3 V Power Supply
- Power Consumption < 2W: SPS-2511W-DXXG
- Power Consumption < 2.3W: SPS-2511B(A)W-DXXG
- RoHS Compliant
- 0 to 70°C Operation: SPS-2511W-DXXG
- -10 to 85°C Operation: SPS-2511BW-DXXG
- -40 to 85 °C Operation: SPS-2511AW-DXXG
- Class 1 Laser International Safety Standard IEC-60825 Compliant
- Enhanced EWRAP, OWRAP, and CDR bypass operational features

## DESCRIPTION

The SPS-2511W-DXXG series single mode transceiver is a small form factor pluggable module for bi-directional serial optical data communications such as 25G Ethernet and CPRI Option 10. It is with the SFP+ 20-pin connector to allow hot plug capability. Digital diagnostic functions are available via an I<sup>2</sup>C. This module is designed for single mode fiber and operates at a nominal wavelength of 100GHz ITU Grid, C Band DWDM wavelength. The transmitter section uses temperature-stabilized DWDM electrical-modulated laser (EML) and is a class 1 laser compliant according to International Safety Standard IEC-60825. The receiver section uses an integrated InGaAs detector preamplifier (IDP) mounted in an optical header and a rate selection clock data recovery (CDR) IC.

## LASER SAFETY

This single mode transceiver is a Class 1 laser product. It complies with IEC-60825 and FDA 21 CFR 1040.10 and 1040.11. The transceiver must be operated within the specified temperature and voltage limits. The optical ports of the module shall be terminated with an optical connector or with a dust plug.

## APPLICATIONS

- 25G Ethernet
- CPRI Option 10

### ORDER INFORMATION

P/No.	Bit Rate (Gb/s)	25GBASE	Distance (km)	Spacing (GHz)	Wavelength (nm)	Package	Case Temp (°C)	RoHS Compliant
SPS-2511W-DXXG	24.33 / 25.78	LR	10	100	DWDM*	SFP28 with DMI	0 to 70	Yes
SPS-2511BW-DXXG	24.33 / 25.78	LR	10	100	DWDM*	SFP28 with DMI	-10 to 85	Yes
SPS-2511AW-DXXG	24.33 / 25.78	LR	10	100	DWDM*	SFP28 with DMI	-40 to 85	Yes

\*XX: 100GHz ITU Grid wavelength (Please see below)

Channel #	Product code	Frequency (THz)	Center Wavelength (nm)	Label
20	SPS-2511W-D20G	192.0	1561.42	D20
21	SPS-2511W-D21G	192.1	1560.61	D21
22	SPS-2511W-D22G	192.2	1559.79	D22
23	SPS-2511W-D23G	192.3	1558.98	D23
24	SPS-2511W-D24G	192.4	1558.17	D24
25	SPS-2511W-D25G	192.5	1557.36	D25
26	SPS-2511W-D26G	192.6	1556.55	D26
27	SPS-2511W-D27G	192.7	1555.75	D27
28	SPS-2511W-D28G	192.8	1554.94	D28
29	SPS-2511W-D29G	192.9	1554.13	D29
30	SPS-2511W-D30G	193.0	1553.33	D30
31	SPS-2511W-D31G	193.1	1552.52	D31
32	SPS-2511W-D32G	193.2	1551.72	D32
33	SPS-2511W-D33G	193.3	1550.92	D33
34	SPS-2511W-D34G	193.4	1550.12	D34
35	SPS-2511W-D35G	193.5	1549.32	D35
36	SPS-2511W-D36G	193.6	1548.51	D36
37	SPS-2511W-D37G	193.7	1547.72	D37
38	SPS-2511W-D38G	193.8	1546.92	D38
39	SPS-2511W-D39G	193.9	1546.12	D39
40	SPS-2511W-D40G	194.0	1545.32	D40
41	SPS-2511W-D41G	194.1	1544.53	D41
42	SPS-2511W-D42G	194.2	1543.73	D42
43	SPS-2511W-D43G	194.3	1542.94	D43
44	SPS-2511W-D44G	194.4	1542.14	D44
45	SPS-2511W-D45G	194.5	1541.35	D45
46	SPS-2511W-D46G	194.6	1540.56	D46
47	SPS-2511W-D47G	194.7	1539.77	D47
48	SPS-2511W-D48G	194.8	1538.98	D48
49	SPS-2511W-D49G	194.9	1538.19	D49
50	SPS-2511W-D50G	195.0	1537.40	D50
51	SPS-2511W-D51G	195.1	1536.61	D51
52	SPS-2511W-D52G	195.2	1535.82	D52
53	SPS-2511W-D53G	195.3	1535.04	D53
54	SPS-2511W-D54G	195.4	1534.25	D54
55	SPS-2511W-D55G	195.5	1533.47	D55
56	SPS-2511W-D56G	195.6	1532.68	D56
57	SPS-2511W-D57G	195.7	1531.90	D57
58	SPS-2511W-D58G	195.8	1531.12	D58
59	SPS-2511W-D59G	195.9	1530.33	D59
60	SPS-2511W-D60G	196.0	1529.55	D60
61	SPS-2511W-D61G	196.1	1528.77	D61

\*\*\*\*\*

Absolute Maximum Ratings					
Parameter	Symbol	Min	Max	Units	Notes
Storage Temperature	Tstg	-40	85	°C	
Relative Humidity	RH	5	85	%	Non-condensing
Operating Case Temperature	Topr	0 -10 -40	70 85 85	°C	SPS-2511W-DXXG SPS-2511BW-DXXG SPS-2511AW-DXXG
Power Supply Voltage	Vcc	-0.5	3.6	V	
Receiver Input Optical Power	Mip		3	dBm	Average power

Recommended Operating Conditions					
Parameter	Symbol	Min	Typ	Max	Units / Notes
Power Supply Voltage	Vcc	3.135	3.3	3.465	V
Operating Case Temperature	Topr	0 -10 -40		70 85 85	°C / SPS-2511W-DXXG °C / SPS-2511BW-DXXG °C / SPS-2511AW-DXXG
Relative Humidity	RH	5		85	% / Non-condensing
Power Supply Current	I <sub>CC(TX+RX)</sub>		400 400 400	550 650 650	mA / SPS-2511W-DXXG mA / SPS-2511BW-DXXG mA / SPS-2511AW-DXXG
Data Rate			24.33 / 25.78		Gb/s

Transmitter Optical Specifications (0°C < Topr < 70°C, 3.13V < Vcc < 3.47V)						
Parameter	Symbol	Min	Typ	Max	Units	Notes
Average Launch Power	P <sub>O, AVG</sub>	-3		+2	dBm	1
Extinction Ratio	ER	6			dB	
Center Wavelength Spacing			100		GHz	2
Transmitter Center Wavelength -- over life time	λ <sub>c</sub>	X-100	X	X+100	pm	3
Output Spectrum Width	Δλ	---		1	nm	-20 dB width
Side Mode Suppression Ratio	SMSR	30			dB	
Relative Intensity Noise	RIN			-130	dB/Hz	
Average Launch Power of OFF Transmitter				-30	dBm	

1. Output power is power coupled into a 9/125 μm single-mode fiber.
2. Corresponds to approximately 0.8 nm.
3. X = specified ITU Grid wavelength.

Receiver Optical Specifications (0°C < Topr < 70°C, 3.13V < Vcc < 3.47V)						
Parameter	Symbol	Min	Typ	Max	Units	Notes
Sensitivity, Average				-13	dBm	4
Receiver Overload	P <sub>MAX</sub>	+2	---		dBm	
LOS – Deasserted	LOS <sub>D</sub>	---	---	-16	dBm	Transition: low to high
LOS – Asserted	LOS <sub>A</sub>	-26	---	---	dBm	Transition: high to low
Wavelength of Operation	λ <sub>c</sub>	1260		1580	nm	
Optical Return Loss	ORL			-27	dB	

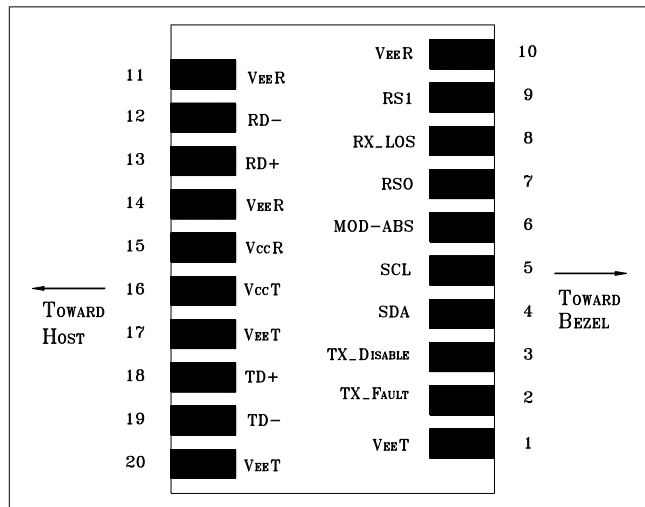
4. @ BER < 5E-5 and PRBS 2<sup>31</sup>-1.

\*\*\*\*\*

Electrical Characteristics						
Parameter	Symbol	Min	Typ	Max	Units	Notes
<b>High-Speed Signal (CML) Interface Specification</b>						
Input Data Rate			24.33/25.78		Gb/s	
TX Clock Tolerance		-100		+100	ppm	5
Differential Input Impedance	Rin		100		$\Omega$	
Differential Data Input Amplitude		150		1000	mVpp	Internally AC coupled
Output Data Rate			24.33/25.78		Gb/s	
RX Clock Tolerance		-100		+100	ppm	5
Differential Output Impedance	Rout		100		$\Omega$	
Differential Data Output Amplitude		350	600	700	mVpp	Internally AC coupled
<b>Low-Speed Signal (LVTTTL) Interface Specification</b>						
Input High Voltage		2.0		Vcc+0.3	V	
Input Low Voltage		GND		0.8	V	
Output High Voltage		2.4		Vcc	V	
Output Low Voltage		GND		0.5	V	

5. Clock tolerance for 24.33Gb/s and 25.78Gb/s.

### CONNECTION DIAGRAM



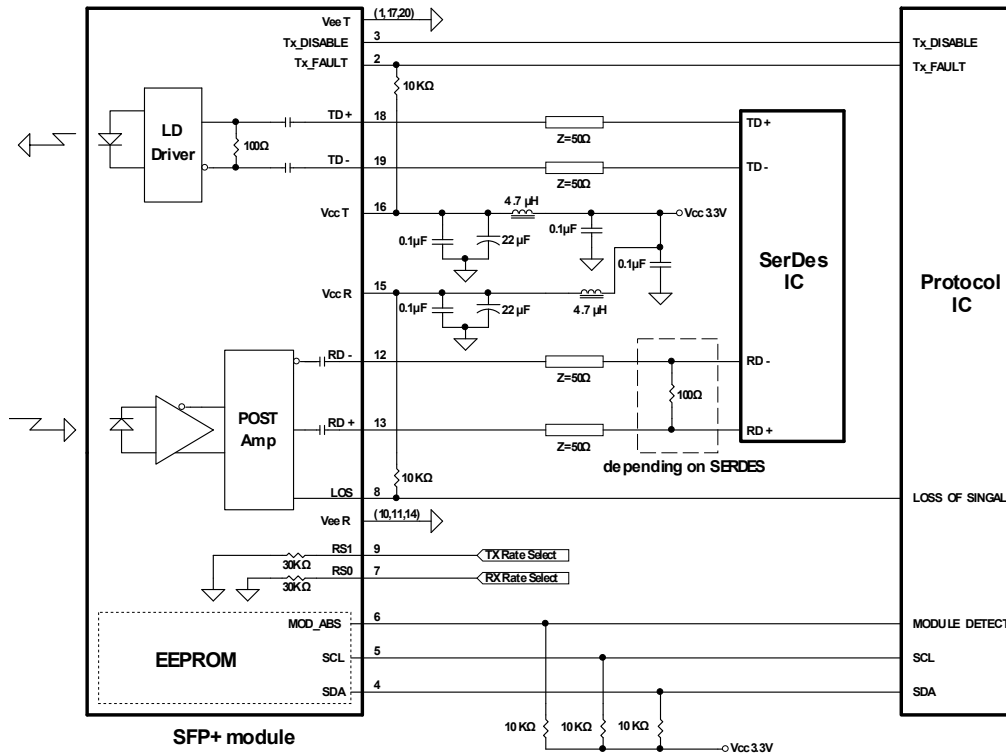
PIN	Signal Name	Description	PIN	Signal Name	Description
1	VEET	Transmitter Signal Ground	11	VEER	Receiver Signal Ground
2	TX_Fault	Transmitter Fault Indication. Logic “1” Output = Laser Fault. Logic “0” Output = Normal Operation	12	RD-	Inverse Receiver Data Out
3	TX_Disable	Logic “1” Input (or no connection) = Laser off, Logic “0” = Laser on.	13	RD+	Receiver Data Out
4	SDA	Modulation Definition 2 – Two wires serial ID Interface	14	VEER	Receiver Signal Ground
5	SCL	Modulation Definition 1 – Two wires serial ID Interface	15	VCCR	Receiver Power – 3.3V±5%
6	MOD-ABS	Modulation Definition 0 – Ground in Module	16	VCCT	Transmitter Power – 3.3V±5%
7	RS0	RX Rate Select: (See Rate Select Control) Open or Low: Low Bandwidth High: High Bandwidth for 25G	17	VEET	Transmitter Signal Ground
8	RX_LOS	Loss of Signal Out (OC).	18	TD+	Transmitter Data In
9	RS1	TX Rate Select: (See Rate Select Control) Open or Low: Low Bandwidth High: High Bandwidth for 25G	19	TD-	Inverse Transmitter Data In
10	VEER	Receiver Signal Ground	20	VEET	Transmitter Signal Ground

### MODULE DEFINITION

Module Definition	PIN 4	PIN 5	PIN 6	Interpretation by Host
4	SDA	SCL	MOD-ABS	Serial module definition protocol

Module Definition 4 specifies a serial definition protocol. For this definition, upon power up, SDA and SCL appear as no connector (NC) and MOD-ABS is TTL LOW. When the host system detects this condition, it activates the serial protocol. The protocol uses the 2-wire serial CMOS E<sup>2</sup>PROM protocol of the ATMEL AT24C01A/02/04 family of components.

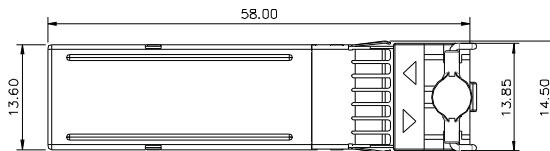
### RECOMMENDED CIRCUIT SCHEMATIC



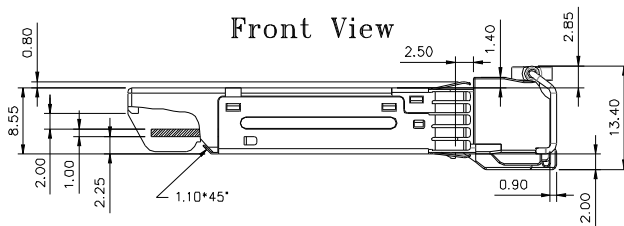
### PACKAGE DIAGRAM

Units in mm

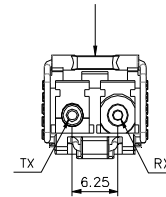
Top View



Front View

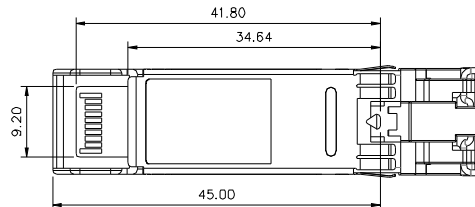


LATCH COLOR  
Blue



Side View

Bottom View



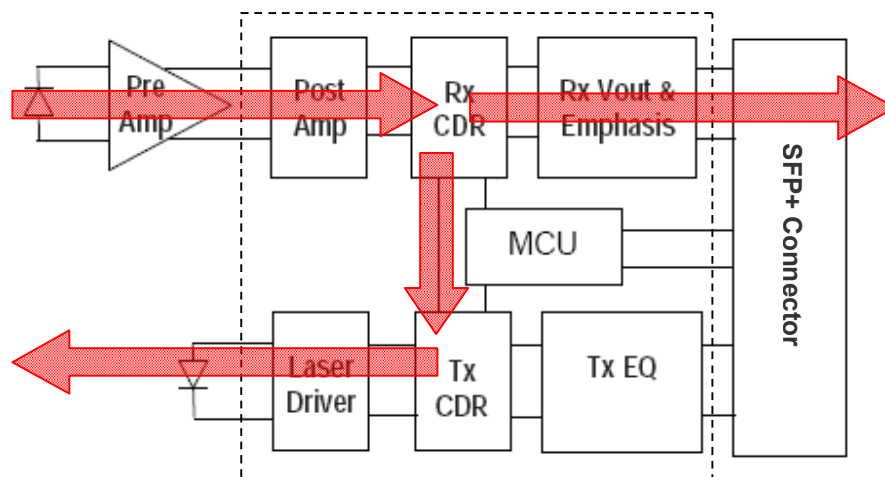
**Note:** Specifications subject to change without notice.

## WRAP AND BYPASS CDR OPERATION FUNCTIONS - SOFT CONTROL (Address A2h, Byte 111).

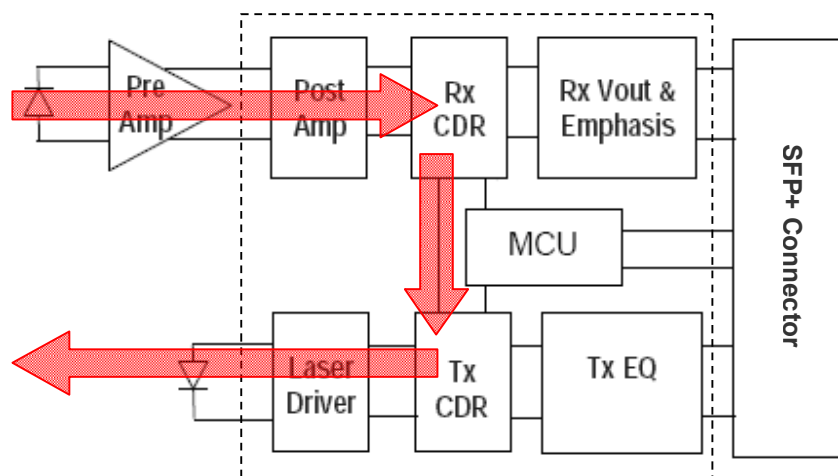
To assist with local host or remote diagnostic and optimization sequences, electrical and optical wrap functions can be enabled. Optical wrap (OWRAP) takes the received optical signal through CDRs and retransmits it optically out. Electrical wrap (EWRAP) takes the received electrical signal through CDRs and retransmits it electrically out. Optional forward functions can be transmitted outbound the wrapped information via i2c control.

Byte	Bit	Name	Description
111	7	TX CDR Bypass	When set, bypass the TX CDR.
	6	RX CDR Bypass	When set, bypass the RX CDR.
	4-5	Reserved	Reserved.
	3	OWRAP Forward Enable Bit	When set in combination with OWRAP Enable, OWRAP Forward routes incoming SFP+ Rx optical data to both the Tx optical output and the Rx electrical output. Enabling sets bit 2 and clears all other bits in byte 111.
	2	OWRAP Enable Bit	When set, OWRAP routes incoming SFP+ Rx optical data to the Tx optical output. Enabling clears all other bits in byte 111.
	1	EWRAP Forward Enable Bit	When set in combination with EWRAP Enable, EWRAP Forward routes incoming SFP+ Tx electrical data to both Rx electrical output and Tx optical output. Enabling sets bit 0 and clears all other bits in byte 111.
	0	EWRAP Enable Bit	When set, EWRAP Enable routes incoming SFP+ Tx electrical data to the Rx electrical output. Enabling clears all other bits in byte 111.

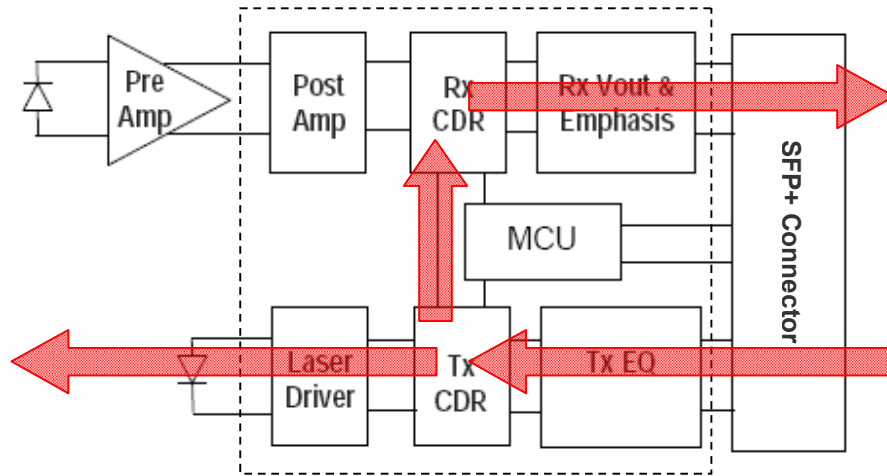
### OWRAP FORWARD ENABLE MODE (I2C CONTROLLED)



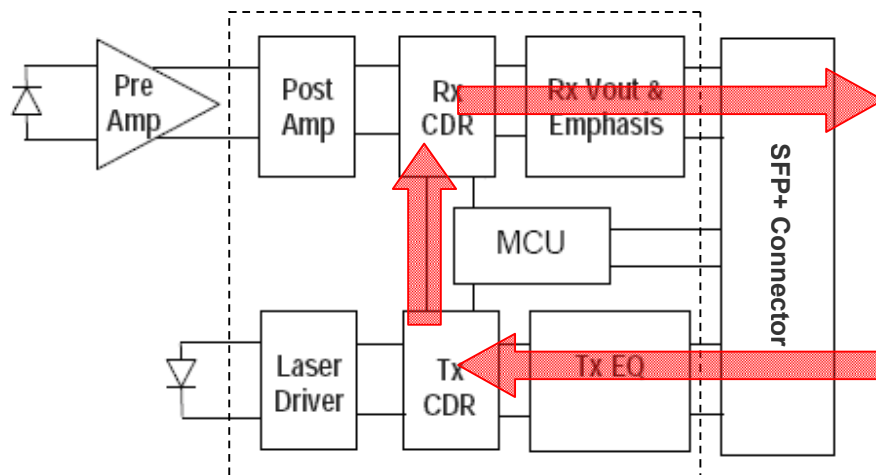
### OWRAP ENABLE MODE (I2C CONTROLLED)



\*\*\*\*\*  
**EWRAP FORWARD ENABLE MODE (I2C CONTROLLED)**  
 \*\*\*\*\*



**EWRAP ENABLE MODE (I2C CONTROLLED)**



**RATE SELECT CONTROL**

RX / TX rate can be independently controlled by RS0 / RS1 input pin (Hardware). RS0 / RS1 input pins (pin 7 / 9) are used to select RX / TX rate. Status of RS0 / RS1 input pin logic level is reflected to register byte 110 bit 4 / 5 on address A2h. RS0 / RS1 input pin must be “High” for 24.33G or 25GE transmission. To have flexible transmission data rate other than 25GE, and CPRI option 10, user may assert TX and/or RX CDR Bypass bits (A2h, Byte 111, [7:6]) to bypass the CDR if required.



EEPROM Series ID Memory Contents (Address A0h)

Addr.	Hex	ASCII	Note	Addr.	Hex	ASCII	Note	Addr.	Hex	ASCII	Note	Addr.	Hex	ASCII	Note		
0	03		SFP28	32	20			64	3C		Power Level 3,	96	00		Vendor specific EEPROM		
1	04			33	20			65	3A		w/ CDR, Cooled Tx, Rate Select, Txdis, Txfault, LOS	97	00				
2	07		LC	34	20			66	67		25.78Gbps	98	00				
3	00			35	20			67	00			99	00				
4	00			36	03		25GBASE-LR	68			Serial number: each piece with different serial number	100	00				
5	00			37	00		Vendor IEEE	69				101	00				
6	00			38	0E		OUI	70				102	00				
7	00			39	FA			71				103	00				
8	00			40	53	S	Part Number	72				104	00				
9	00			41	50	P		73				105	00				
10	00			42	53	S		74				106	00				
11	06		64B/66B	43	2D	-		75				107	00				
12	FF		> 25.4Gbps	44	32	2		76				108	00				
13	00			45	35	5		77				109	00				
14	0A		10 km	46	31	1		78			110	00					
15	64		10 km	47	31	1		79			111	00					
16	00			48	57	W		80			112	00					
17	00			49	2D	-		81			113	00					
18	00			50	44	D	82			114	00						
19	00			51	3X	X	83			115	00						
20	4F	O	Vendor name	52	3X	X	84		Y	Date Code	116	00					
21	50	P		53	47	G	85		Y		117	00					
22	54	T		54	20		86		M		118	00					
23	4F	O		55	20		87		M		119	00					
24	57	W		56	30	0	Revision, depended on version	88			D	120	00				
25	41	A		57	30	0		89			D	121	00				
26	59	Y		58	30	0		90	20			122	00				
27	20			59	31	1		91	20			123	00				
28	20				60			DWDM Wavelength	92		68		Monitoring	124		00	
29	20				61				93		F0		Soft Control and Monitoring	125		00	
30	20			62			94		08		SFF-8472 V12.0	126	00				
31	20			63			Checksum 0-62	95			Checksum 64-94	127	00				

### EEPROM Series ID Memory Contents (Address A2h)

Addr.	Hex	Note	Addr.	Hex	Note	Addr.	Hex	Note	Addr.	Hex	Note
0	4B	Temp. High Alarm (75°C)	32	4D	Rx Power High Alarm (3dBm)	64	00	For External Cal.	96		Real Time Temp. MSB
1	00		33	F1		65	00	For External Cal.	97		Real Time Temp. LSB
2	FB	Temp. Low Alarm(-5°C)	34	01	Rx Power Low Alarm (-15dBm)	66	00	For External Cal.	98		Real Time Vcc MSB
3	00		35	3C		67	00	For External Cal.	99		Real Time Vcc LSB
4	49	Temp. High Warming(73°C)	36	3D	Rx Power High Warming (2dBm)	68	3F	For External Cal.	100		Real Time Tx Bias MSB
5	00		37	E9		69	80	For External Cal.	101		Real Time Tx Bias LSB
6	00	Temp. Low Warming (0°C)	38	01	Rx Power Low Warming(-13dBm)	70	00	For External Cal.	102		Real Time Tx Pwr MSB
7	00		39	F5		71	00	For External Cal.	103		Real Time Tx Pwr LSB
8	8C	Voltage High Alarm (3.6V)	40	3C	LD Temp. High Alarm (60°C)	72	00	For External Cal.	104		Real Time Rx Pwr MSB
9	A0		41	00		73	00	For External Cal.	105		Real Time Rx Pwr LSB
10	75	Voltage Low Alarm(3.0V)	42	19	LD Temp. Low Alarm(25°C)	74	00	For External Cal.	106		Reserved
11	30		43	00		75	00	For External Cal.	107		Reserved
12	88	Voltage High Warming(3.5V)	44	37	LD Temp. High Warming(55°C)	76	01	For External Cal.	108		Reserved
13	B8		45	00		77	00	For External Cal.	109		Reserved
14	79	Voltage Low Warming (3.1V)	46	1E	LD Temp. Low Warming (30°C)	78	00	For External Cal.	110		Tx Dis, Tx Fault, Rx Los
15	18		47	00		79	00	For External Cal.	111		CDR Bypass, OWRAP, EWRAP
16	FD	Tx Bias High Alarm(130mA)	48	27	ITEC High Alarm(1000mA)	80	01	For External Cal.	112		Alarm Flag
17	E8		49	10		81	00	For External Cal.	113		Alarm Flag/Reserved
18	13	Tx Bias Low Alarm(10mA)	50	D8	ITEC Low Alarm(-1000mA)	82	00	For External Cal.	114		Reserved
19	88		51	F0		83	00	For External Cal.	115		Reserved
20	EA	Tx Bias High Warming(120mA)	52	27	ITEC High Warming(1000mA)	84	01	For External Cal.	116		Warming Flag
21	60		53	10		85	00	For External Cal.	117		Warming Flag/Reserved
22	1D	Tx Bias Low Warming(15mA)	54	D8	ITEC Low Warming(-1000mA)	86	00	For External Cal.	118		RS1 Select
23	4C		55	F0		87	00	For External Cal.	119		Reserved
24	4D	Tx Power High Alarm (3dBm)	56	00	For External Cal.	88	01	For External Cal.	120		Vendor Specific
25	F1		57	00	For External Cal.	89	00	For External Cal.	121		
26	0F	Tx Power Low Alarm(-4dBm)	58	00	For External Cal.	90	00	For External Cal.	122		
27	8D		59	00	For External Cal.	91	00	For External Cal.	123		
28	3D	Tx Power High Warming(2dBm)	60	00	For External Cal.	92	00	For External Cal.	124		
29	E9		61	00	For External Cal.	93	00	For External Cal.	125		
30	13	Tx Power Low Warming (-3dBm)	62	00	For External Cal.	94	00	For External Cal.	126		
31	94		63	00	For External Cal.	95		Check Sum	127		

Note: Address 128 – 247: customer RW eeprom. Address 248 – 255: Vendor Specific.

REVISION HISTORY

Version	Subject	Release Date
1.0	Initial datasheet	2019/9/16