
SPS-2110VMW-2TG / SPS-2110BVMW-2TG / SPS-2110AVMW-2TG (RoHS Compliant)

12 Gb/s / 10 km / 1310 nm Medium Power Dual Optical SM Digital Diagnostic Transmitter

FEATURES

- SMPTE 2082, SMPTE 424M, SMPTE 292M, SMPTE 259M, and DVB-ASI Compatible
- Speed up to 12 Gb/s
- Distance up to 10 km for 12G-SDI
- Reclocker built-in
- Support Video Pathological Patterns for HD-SDI, 3G-SDI, 6G-SDI, and 12G-SDI
- Dual Transmitter with Duplex LC
- Based on Industry Standard SFP +
- SFF-8472 Digital Diagnostic Function
- Two Independent TTL Laser Disable Input
- Single +3.3 V Power Supply
- RoHS Compliant
- 0 to 70°C Operation:SPS-2110VMW-2TG
- -10 to 85°C Operation:SPS-2110BVMW-2TG
- -40 to 85°C Operation:SPS-2110AVMW-2TG
- Hot-Pluggable
- Class 1 Laser International Safety Standard IEC-60825 Compliant

DESCRIPTION

The SPS-2110VMW-2TG series is a dual channel single mode transmitter module designed to transmit optical serial digital signals as defined in SMPTE 2082, SMPTE 424M, SMPTE 292M, SMPTE 259M, and DVB-ASI. It supports up to 12Gbps and is specifically designed to transmit the pathological patterns for HD-SDI, 3G-SDI, 6G-SDI, and 12G-SDI. It is with the SFP+ 20-pin connector to allow hot plug capability. Digital diagnostic functions are available via an I²C. It uses two 1310 nm multiple quantum well DFB lasers and is a class 1 laser compliant according to International Safety Standard IEC-60825. A maximum distance of 10 km is achievable with 12Gbps pathological signals.

LASER SAFETY

This single mode transceiver is a Class 1 laser product. It complies with IEC-60825 and FDA 21 CFR 1040.10 and 1040.11. The transceiver must be operated within the specified temperature and voltage limits. The optical ports of the module shall be terminated with an optical connector or with a dust plug.

APPLICATIONS

- SMPTE 2082 Compliant Electrical-to-Optical Interfaces
- High-density Video Routers

ORDER INFORMATION

P/No.	Type	Bit Rate (Gb/s)	TX1		TX2		Package	Temp (°C)	RoHS Compliant
			λ (nm)	Power (dBm)	λ (nm)	Power (dBm)			
SPS-2110VMW-2TG	2-TX	Up to 12	1310 DFB	1 to -5	1310 DFB	1 to -5	LC SFP+ with DMI	0 to 70	Yes
SPS-2110BVMW-2TG	2-TX	Up to 12	1310 DFB	1 to -5	1310 DFB	1 to -5	LC SFP+ with DMI	-10 to 85	Yes
SPS-2110AVMW-2TG	2-TX	Up to 12	1310 DFB	1 to -5	1310 DFB	1 to -5	LC SFP+ with DMI	-40 to 85	Yes

RELATED PRODUCTS

P/No.	Type	Bit Rate (Mb/s)	TX		RX		Package	Temp (°C)	RoHS Compliant
			λ (nm)	Power (dBm)	λ (nm)	Sen. (dBm)			
SPS-2116VMW-2RG	2-RX	Up to 12			1260/1360	-1 to -11	LC SFP+ with DMI	0 to 70	Yes
SPS-2110VMW-1TG	1-TX	Up to 12	1310 DFB	1 to -5			LC SFP+ with DMI	0 to 70	Yes
SPS-2116VMW-1RG	1-RX	Up to 12			1260/1360	-1 to -11	LC SFP+ with DMI	0 to 70	Yes
SPS-2116VMW-1T1RG	1-TX+1-RX	Up to 12	1310 DFB	1 to -5	1260/1360	-1 to -11	LC SFP+ with DMI	0 to 70	Yes

Absolute Maximum Ratings					
Parameter	Symbol	Min	Max	Units	Notes
Storage Temperature	Tstg	-40	85	°C	
Operating Case Temperature	Topr	0	70	°C	SPS-2110VMW-2TG
		-10	85		SPS-2110BVMW-2TG
		-40	85		SPS-2110AVMW-2TG
Power Supply Voltage	Vcc	-0.5	3.6	V	

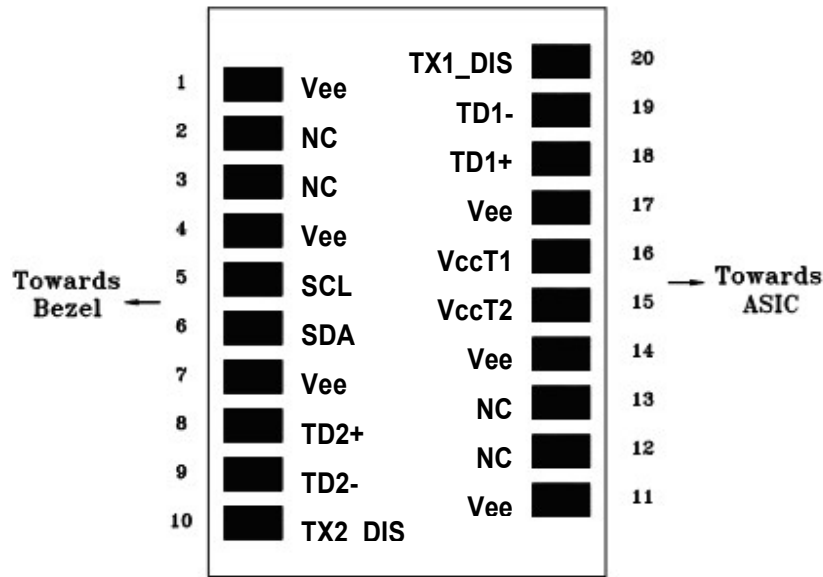
Recommended Operating Conditions					
Parameter	Symbol	Min	Typ	Max	Units / Notes
Power Supply Voltage	Vcc	3.13	3.3	3.47	V
Operating Case Temperature	Topr	0		70	°C/SPS-2110VMW-2TG
		-10		85	°C/SPS-2110BVMW-2TG
		-40		85	°C/SPS-2110AVMW-2TG
Power Supply Current	Icc		550	600	mA
Data Rate			11.88		Gb/s

Transmitter Optical Specifications (3.13V < Vcc < 3.47V)						
Parameter	Symbol	Min	Typ	Max	Units	Notes
Average Launch Power	P _{O, Avg}	-5		1	dBm	1
Output Center Wavelength	λ _c	1260	1310	1360	nm	
Output Spectrum Width	σ _λ			1	nm	-20 dB width
Side Mode Suppression Ratio	SMSR	30			dB	
Extinction Ratio	ER	3.5				
Relative Intensity Noise	RIN			-128	dB/Hz	
Average Launch Power of OFF Transmitter				-30	dBm	

1. Output power is power coupled into a 9/125 μm single-mode fiber.

Electrical Characteristics						
Parameter	Symbol	Min	Typ	Max	Units	Notes
High-Speed Signal (CML) Interface Specification						
Input Data Rate			11.88		Gb/s	
Differential Input Impedance	R _{in}		100		Ω	
Low-Speed Signal (LVTTTL) Interface Specification						
Input High Voltage		2.0		V _{cc} +0.3	V	
Input Low Voltage		GND		0.8	V	

CONNECTION DIAGRAM



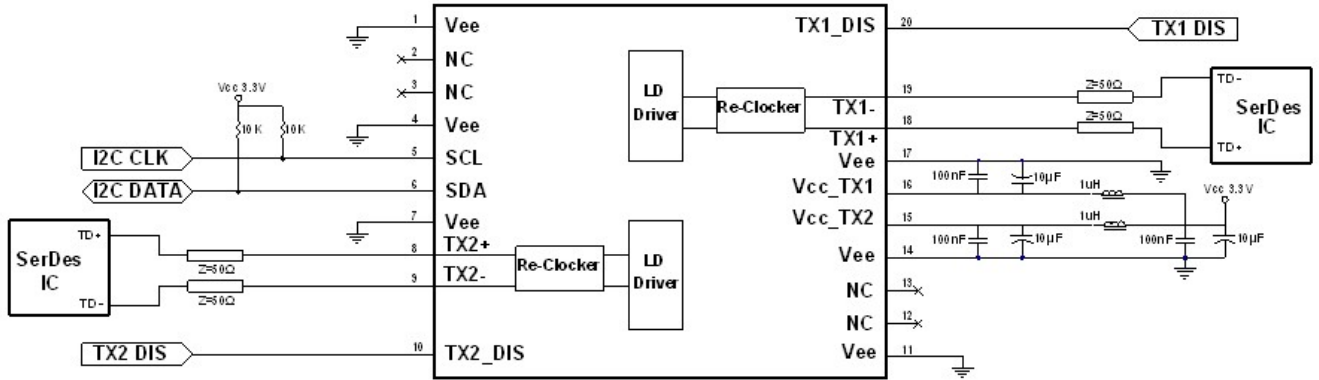
PIN	Name	Function	Notes
1	Vee	Signal Ground	
2	NC	No Connection	
3	NC	No Connection	
4	Vee	Signal Ground	
5	SCL	Serial I ² C Clock	
6	SDA	Serial I ² C Data	
7	Vee	Signal Ground	
8	TD2+	Positive Transmitter Data In (2)	AC coupled differential lines with 100 ohm differential termination inside the module
9	TD2-	Negative Transmitter Data In (2)	
10	TX2_DIS	Transmitter Disable (2)	Internal 4.7 kΩ pull-up. The bias current and modulation current are turned off if TX2_DIS = HIGH.
11	Vee	Signal Ground	
12	NC	No Connection	
13	NC	No Connection	
14	Vee	Signal Ground	
15	VccT2	Power Supply (2)	+3.3V±5%
16	VccT1	Power Supply (1)	+3.3V±5%
17	Vee	Signal Ground	
18	TD1+	Positive Transmitter Data In (1)	AC coupled differential lines with 100 ohm differential termination inside the module
19	TD1-	Negative Transmitter Data In (1)	
20	TX1_DIS	Transmitter Disable (1)	Internal 4.7 kΩ pull-up. The bias current and modulation current are turned off if TX1_DIS = HIGH.

MODULE DEFINITION

Module Definition	PIN 5	PIN 6	Interpretation by Host
4	SCL	SDA	Serial module definition protocol

Module Definition 4 specifies a serial definition protocol. For this definition, upon power up, SCL and SDA appear as no connector (NC). When the host system detects this condition, it activates the serial protocol. The protocol uses the 2-wire serial CMOS E²PROM protocol of the ATMEL AT24C01A/02/04 family of components.

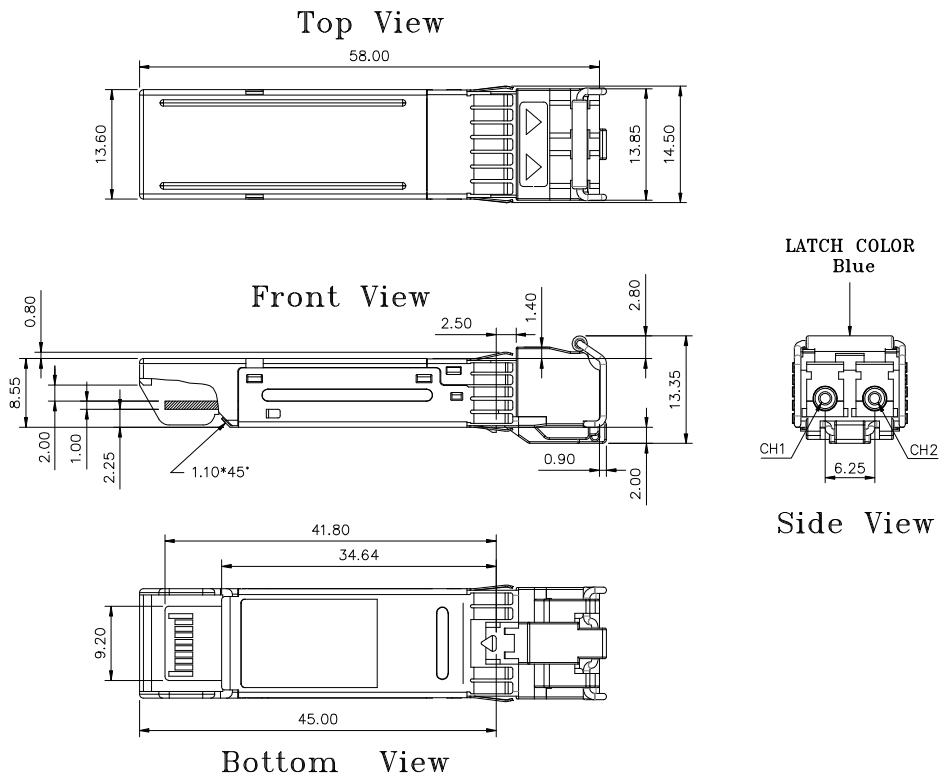
RECOMMENDED CIRCUIT SCHEMATIC



1. Consult the Chipset manufacturer's applications information for biasing required for TX outputs. Some chipset outputs are internally biased and may not need external bias resistor.

PACKAGE DIAGRAM

Units in mm



Note: Specifications subject to change without notice.

REVISION HISTORY

Version	Subject	Release Date
1.0	Initial datasheet	2023/2/16
1.1	Correct Related Products	2023/6/20