

SPM-8100WG / SPM-8100AWG

(RoHS Compliant)

3.3V / 850 nm / 4.25 Gbps Digital Diagnostic SFP LC MULTI-MODE SFP TRANSCEIVER

FEATURES

- Up to 4.25 Gb/s Bi-directional Data Link
- Hot-Pluggable SFP Footprint LC Optical Transceiver
- Small Form-Factor Pluggable (SFP) MSA compatible
- **SFF-8472 Digital Diagnostic Function**
- Link Distance at 4.25 Gbd
 - 150 m links with 50/125 μm MMF Cables
 - 70 m links with 62.5/125 μm MMF Cables
- Link Distance at 2.125 Gbd
 - 300 m links with 50/125 μm MMF Cables
 - 150 m links with 62.5/125 μm MMF Cables
- Link Distance at 1.063 Gbd
 - 500 m links with 50/125 μm MMF Cables
 - 300 m links with 62.5/125 μm MMF Cables
- AC/AC Coupling according to MSA
- Single +3.3 V Power Supply
- RoHS Compliant
- -10 to 85°C Operation: SPM-8100WG
- -40 to 85°C Operation: SPM-8100AWG
- Class 1 Laser International Safety Standard IEC 60825 Compliant

DESCRIPTION

The SPM-8100WG series multi-mode transceivers is small form factor pluggable module for bi-directional serial optical data communications such as 4x/2x/1x Fibre Channel and Gigabit Ethernet 1000BASE-SX. It is with the SFP 20-pin connector to allow hot plug capability. Digital diagnostic functions are available via an I²C series bus specified in the SFP MSA SFF-8472. This module is designed for multi-mode fiber and operates at a nominal wavelength of 850 nm. The transmitter section uses a Vertical Cavity Surface Emitted Laser (VCSEL) and is a Class 1 laser compliant according to International Safety Standard IEC 60825. The receiver section uses an integrated GaAs detector preamplifier (IDP) mounted in an optical header and a limiting post-amplifier IC.

LASER SAFETY

This multi-mode transceiver is a Class 1 laser product. It complies with IEC 60825 and FDA 21 CFR 1040.10 and 1040.11. The transceiver must be operated within the specified temperature and voltage limits. The optical ports of the module shall be terminated with an optical connector or with a dust plug.

APPLICATIONS

- Tri-Rate 4.25/2.125/1.063 Gb/s Fiber Channel
- 1.25 Gb/s 1000BASE-SX Ethernet

ORDER INFORMATION

P/No.	Bit Rate (Gb/s)	FC	Distance (m)	Wavelength (nm)	Package	Temp. (°C)	TX Power (dBm)	RX Sens. (dBm)	RoHS Compliant
SPM-8100WG	4 / 2 / 1	400/200/100	150/300/500	850	LC SFP with DMI	-10 to 85	-2.5 to -9	-15/-17/-18	Yes
SPM-8100AWG	4 / 2 / 1	400/200/100	150/300/500	850	LC SFP with DMI	-40 to 85	-2.5 to -9	-15/-17/-18	Yes

Absolute Maximum Ratings

Parameter	Symbol	Min	Max	Units	Notes
Storage Temperature	Tstg	-40	85	°C	
Operating Case Temperature	Topr	-10	85	°C	SPM-8100WG
		-40	85		SPM-8100AWG
Power Supply Voltage	Vcc	-0.5	3.6	V	

Recommended Operating Conditions

Parameter	Symbol	Min	Typ	Max	Units / Notes
Power Supply Voltage	Vcc	3.1	3.3	3.5	V
Operating Case Temperature	Topr	-10		85	°C / SPM-8100WG
		-40		85	°C / SPM-8100AWG
Power Supply Current	I _{CC(TX+RX)}		180	240	mA
Data Rate		1062	4250		Mb/s

OPTOWAY TECHNOLOGY INC. No.38, Kuang Fu S. Road, Hu Kou, Hsin Chu Industrial Park, Hsin Chu, Taiwan 303

Tel: 886-3-5979798

Fax: 886-3-5979737

E-mail: sales@optoway.com

http://www.optoway.com

12/1/2007 V3.0

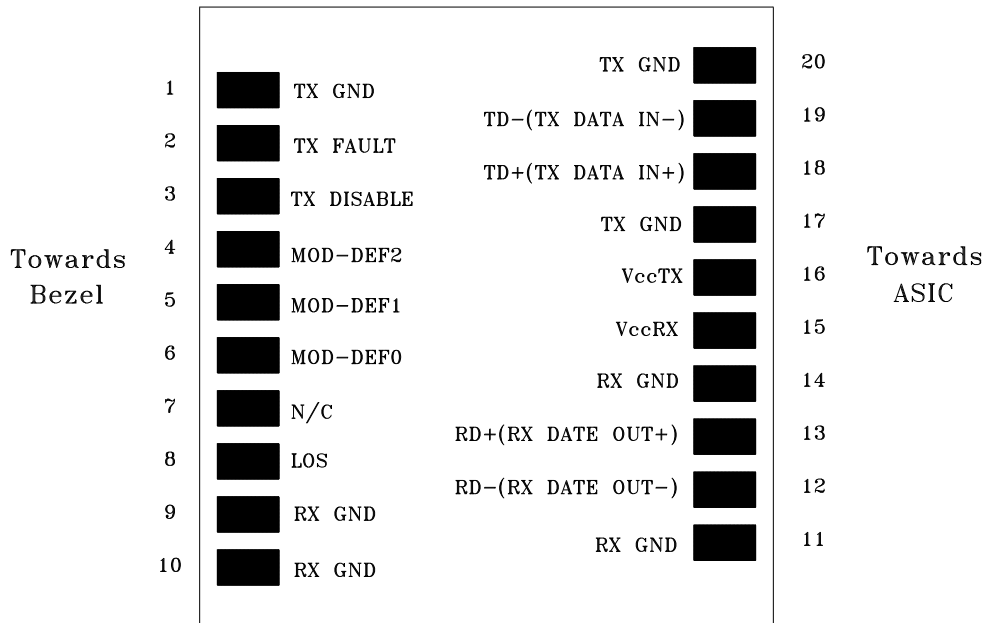
Transmitter Specifications (0°C < Topr < 70°C, 3.1V < Vcc < 3.5V)						
Parameter	Symbol	Min	Typ	Max	Units	Notes
Optical						
Optical Transmit Power	P _o	-9	---	-2.5	dBm	1
Output Center Wavelength	λ	830		860	nm	
Output Spectrum Width	Δλ	---	---	0.85	nm	RMS (σ)
Optical Modulation Amplitude@4.25Gb/s	OMA	247			μW	2
Optical Modulation Amplitude@2.125Gb/s	OMA	196			μW	
Optical Modulation Amplitude@1.063Gb/s	OMA	156			μW	
Optical Rise Time	t _r			90	ps	20 % to 80% Values
Optical Fall Time	t _f			90	ps	20 % to 80% Values
Relative Intensity Noise	RIN			-118	dB/Hz	
Electrical						
Data Input Current – Low	I _{IL}	-350			μA	
Data Input Current – High	I _{IH}			350	μA	
Differential Input Voltage	V _{IH} - V _{IL}	0.5		2.4	V	Peak-to-Peak
TX Disable Input Voltage – Low	T _{DIS,L}	0		0.5	V	3
TX Disable Input Voltage – High	T _{DIS,H}	2.0		V _{cc}	V	3
TX Disable Assert Time	T _{ASSERT}			10	μs	
TX Disable Deassert Time	T _{DEASSERT}			1	ms	
TX Fault Output Voltage -- Low	T _{FaultL}	0		0.5	V	4
TX Fault Output Voltage -- High	T _{FaultH}	2.0		V _{cc} +0.3	V	4

1. Output power is power coupled into a 62.5/125 μm MM fiber.
2. Equivalent extinction ratio specification for Fibre Channel. Allows smaller ER at higher average power.
3. There is an internal 4.7K to 10K ohm pull-up resistor to VccTX.
4. Open collector compatible, 4.7K to 10K ohm pull-up to Vcc (Host Supply Voltage).

Receiver Specifications (0°C < Topr < 70°C, 3.1V < Vcc < 3.5V)						
Parameter	Symbol	Min	Typ	Max	Units	Notes
Optical						
Sensitivity at 4.25Gbps	Sens			-15 40	dBm μW	5
Sensitivity at 2.125Gbps	Sens			-17	dBm	5
Sensitivity at 1.063Gbps	Sens			-18		5
Maximum Input Power	P _{in}	0			dBm	
Signal Detect -- Asserted	P _a	---		-18	dBm	Transition: low to high
Signal Detect -- Deasserted	P _d	-30	---	---	dBm	Transition: high to low
Signal detect -- Hysteresis		1.0	---		dB	
Wavelength of Operation		770	---	860	nm	
Electrical						
Differential Output Voltage	V _{OH} - V _{OL}	0.6		2.0	V	
Output LOS Voltage -- Low	V _{OL}	0		0.5	V	6
Output LOS Voltage -- High	V _{OH}	2.0		V _{cc} +0.3	V	6

5. Measured at 2⁷-1 PRBS at BER 1E-12 at 9dB Extinction Ratio. For example, an OMA of 40 μW is approximately equal to an average power of -15.9 dBm, average with an Extinction Ratio of 9 dB.
6. Open collector compatible, 4.7K to 10K ohm pull-up to Vcc (Host Supply Voltage).

CONNECTION DIAGRAM



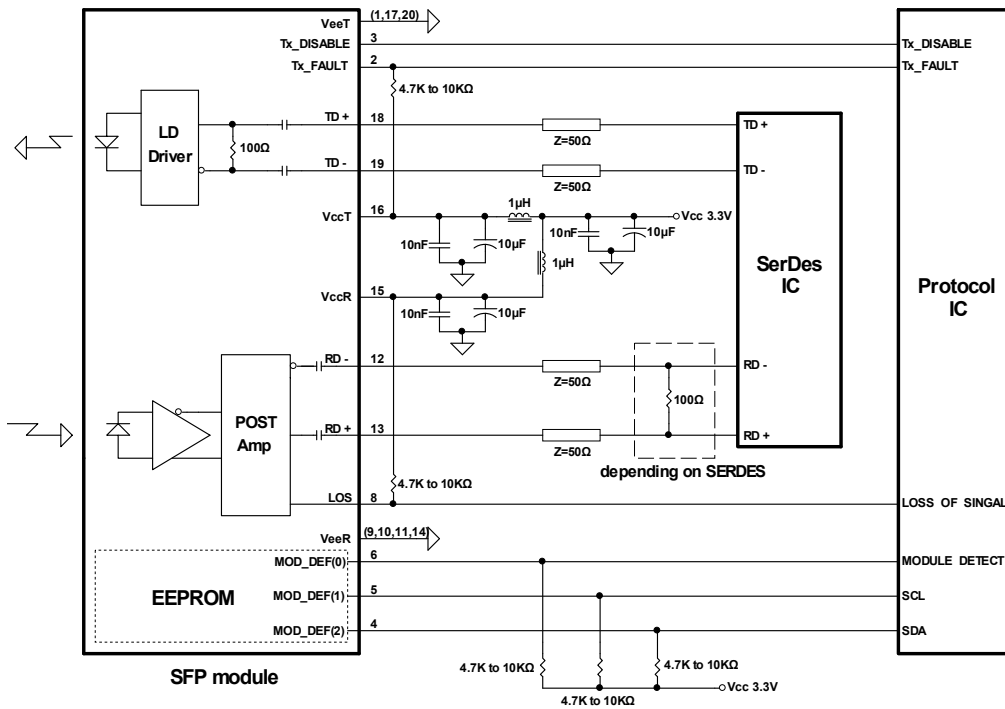
PIN	Signal Name	Description	PIN	Signal Name	Description
1	TX GND	Transmitter Ground	11	RX GND	Receiver Ground
2	TX Fault	Transmitter Fault Indication	12	RX DATA OUT-	Inverse Receiver Data Out
3	TX Disable	Transmitter Disable (Module disables on high or open)	13	RX DATA OUT+	Receiver Data Out
4	MOD-DFE2	Modulation Definition 2 – Two wires serial ID Interface	14	RX GND	Receiver Ground
5	MOD-DEF1	Modulation Definition 1 – Two wires serial ID Interface	15	Vcc RX	Receiver Power – 3.3V±5%
6	MOD-DEF0	Modulation Definition 0 – Ground in Module	16	Vcc TX	Transmitter Power – 3.3V±5%
7	N/C	Not Connected	17	TX GND	Transmitter Ground
8	LOS	Loss of Signal	18	TX DATA IN+	Transmitter Data In
9	RX GND	Receiver Ground	19	TX DATA IN-	Inverse Transmitter Data In
10	RX GND	Receiver Ground	20	TX GND	Transmitter Ground

Module Definition

Module Definition	MOD-DEF2 PIN 4	MOD-DEF1 PIN 5	MOD-DEF0 PIN 6	Interpretation by Host
4	SDA	SCL	LV-TTL Low	Serial module definition protocol

Module Definition 4 specifies a serial definition protocol. For this definition, upon power up, MOD-DEF(1:2) appear as no connector (NC) and MOD-DEF(0) is TTL LOW. When the host system detects this condition, it activates the serial protocol. The protocol uses the 2-wire serial CMOS E²PROM protocol of the ATMEL AT24C01A/02/04 family of components.

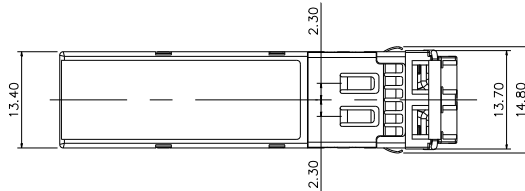
RECOMMENDED CIRCUIT SCHEMATIC



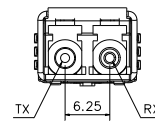
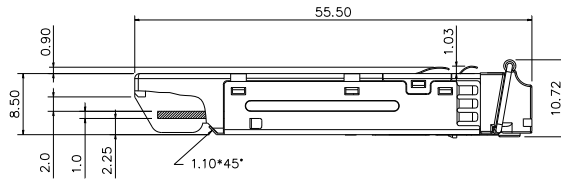
PACKAGE DIAGRAM

Units in mm

Top View

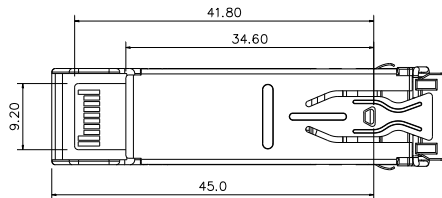


Front View



Side View

Bottom View



Note: Specifications subject to change without notice.

Revision History

Version	Subject	Release Date
1.0	Initial datasheet	2005/12/1
2.0	Revise package diagram for high port density use	2006/6/1
3.0	Add -40 to 85 oC version (SPM-8100AWG)	2007/12/1