

**BTRS-5780-1510G / BTRS-5780-1510-SPG / BTRS-5780-1510AG / BTRS-5780A-1510-SPG**  
**1510 nm TX / 1590 nm RX, 3.3V / 622 Mbps **RoHS Compliant** Single-Fiber Transceiver**

### FEATURES

- Single Fiber Bi-Directional Transceiver
- 1510 nm DFB LD Transmitter
- 1590 nm Receiver
- Distance up to 80 km
- Speed up to 650 Mb/s
- Single +3.3 V Power Supply
- RoHS Compliant
- PECL Differential Inputs and Outputs
- 0 to 70°C Operating: BTRS-5780-1510G
- **-40 to 85°C Operating: BTRS-5780A-1510G**
- Wave Solderable
- Class 1 Laser International Safety Standard IEC-60825 Compliant

### APPLICATIONS

- WDM 622 Mb/s Links
- SONET/SDH Equipment Interconnect
- Fast Ethernet & Fiber Channel Links

### DESCRIPTION

The BTRS-5780-1510G series are high performance modules for single fiber communications by using 1510 nm transmitter and 1590 nm receiver. The transmitter section uses a multiple quantum well 1510 nm DFB laser and is a class 1 laser compliant according to International Safety Standard IEC-60825. The receiver section uses an integrated 1590 nm detector preamplifier (IDP) mounted in an optical header and a limiting post-amplifier IC. A PECL logic interface simplifies interface to external circuitry.

### LASER SAFETY

This multi-mode transceiver is a Class 1 laser product. It complies with IEC-60825 and FDA 21 CFR 1040.10 and 1040.11. The transceiver must be operated within the specified temperature and voltage limits. The optical ports of the module shall be terminated with an optical connector or with a dust plug.

### ORDER INFORMATION

P/No.	Bit Rate (Mb/s)	Distance (km)	TX (nm)	RX (nm)	Voltage (V)	Package	Temp. (°C)	TX Power (dBm)	RX Sens. (dBm)	RoHS Compliant
BTRS-5780-1510G	622	80	1510 DFB	1590	3.3	2X5 SC	0 to 70	3 to -2	-28	Yes
BTRS-5780A-1510G	622	80	1510 DFB	1590	3.3	2X5 SC	<b>-40 to 85</b>	3 to -2	-28	Yes

- Note: 1. BTRS-XXXXXXG is SFF SC receptacle type package with standard case.  
 2. BTRS-XXXXXXEG is SFF SC receptacle type package with extended case.  
 3. BTRS-XXXXXX-APBBBG is SFF pigtail type package with different connector, A=S is SC connector, A=F is FC connector, A=T is ST connector, A=L is LC connector, A=M is MU connector, BBB is the length of fiber in cm.

\*\*\*\*\*

Absolute Maximum Ratings					
Parameter	Symbol	Min	Max	Units	Notes
Storage Temperature	Tstg	-40	85	°C	
Operating Temperature	Topr	0 -40	70 85	°C	BTRS-5780-1510G BTRS-5780A-1510G
Soldering Temperature	---		260	°C	10 seconds on leads only
Power Supply Voltage	Vcc	0	4.5	V	
Input Voltage	---	GND	Vcc	V	
Output Current	Iout	0	30	mA	

Recommended Operating Conditions					
Parameter	Symbol	Min	Typ	Max	Units / Notes
Power Supply Voltage	Vcc	3.13	3.3	3.47	V
Operating Temperature	Topr	0 -40		70 85	°C / BTRS-5780-1510G °C / BTRS-5780A-1510G
Data Rate		50	622	650	Mb/s
Power Supply Current	I <sub>CC</sub>			280	mA

Transmitter Specifications (0°C < Topr < 70°C, 3.13V < Vcc < 3.47V)						
Parameter	Symbol	Min	Typ	Max	Units	Notes
<b>Optical</b>						
Optical Transmit Power	P <sub>o</sub>	-2		3	dBm	1
Output Center Wavelength	λ	1480		1520	nm	
Output Spectrum Width	Δλ	---	---	1	nm	-20 dB Width
Side Mode Suppression Ratio	SMSR	30			dB	
Extinction Ratio	E <sub>R</sub>	8.2			dB	
Output Eye	Compliant with Bellcore TR-NWT-000253 and ITU recommendation G.957					
Optical Rise Time	t <sub>r</sub>			1.2	ns	10% to 90% Values
Optical Fall Time	t <sub>f</sub>			1.2	ns	10% to 90% Values
Relative Intensity Noise	RIN			-120	dB/Hz	
Total Jitter	TJ			0.55	ns	2
<b>Electrical</b>						
Data Input Current – Low	I <sub>IL</sub>	-350			μA	
Data Input Current – High	I <sub>IH</sub>			350	μA	
Differential Input Voltage	V <sub>IH</sub> - V <sub>IL</sub>	300		1600	mV	
Data Input Voltage – Low	V <sub>IL</sub> - V <sub>CC</sub>	-2.0		-1.58	V	3
Data Input Voltage -- High	V <sub>IH</sub> - V <sub>CC</sub>	-1.1		-0.74	V	3
Disable Input Voltage -- Low	V <sub>TDIS,L</sub>	0		0.8	V	TX Output Enabled
Disable Input Voltage – High	V <sub>TDIS,H</sub>	Vcc-1.3		Vcc	V	TX Output Disabled
Shut Off Time for TxDis	t <sub>DIS</sub>			1	ms	

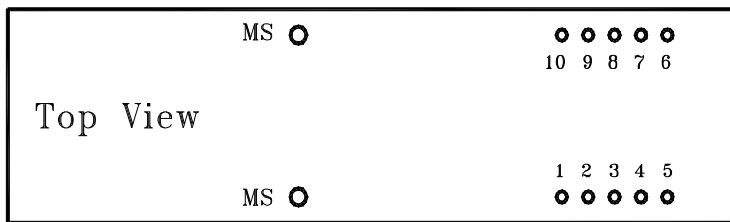
- Notes: 1. Output power is power coupled into a 9/125 μm single- mode fiber.  
 2. Measure with 2<sup>23</sup>-1 PRBS with 72 ones and 72 zeros.  
 3. These inputs are compatible with 10K, 10KH and 100K ECL and LVPECL inputs.

Receiver Specifications (0°C < Topr < 70°C, 3.13V < Vcc < 3.47V)

Parameter	Symbol	Min	Typ	Max	Units	Notes
<b>Optical</b>						
Sensitivity	---	---	---	-28	dBm	1
Maximum Input Power	Pin	-5		---	dBm	
Signal Detect -- Asserted	Pa	---	---	-28	dBm	Transition: low to high
Signal Detect -- Deasserted	Pd	-38	---	---	dBm	Transition: high to low
Signal detect -- Hysteresis		1.0	---	4.0	dB	
Wavelength of Operation		1580	---	1620	Nm	2
Optical Return Loss	ORL	20			dB	
<b>Electrical</b>						
Data Output Voltage -- Low	$V_{OL} - V_{CC}$	-2.0		-1.58	V	3
Data Output Voltage -- High	$V_{OH} - V_{CC}$	-1.1		-0.74	V	3
SD Output Voltage -- Low	$V_{OL} - V_{CC}$	-2.0		-1.58	V	3
SD Output Voltage -- High	$V_{OH} - V_{CC}$	-1.1		-0.74	V	3
Signal Detect Assert Time	$AS_{MAX}$			100	$\mu s$	OFF to ON
Signal Detect Deassert Time	$ANS_{MAX}$			300	$\mu s$	ON to OFF

- Notes: 1. Minimum sensitivity and saturation levels at BER=1E-10 for a 2<sup>23</sup>-1 PRBS with 72 ones and 72 zeros.  
 2. At least 30 dB optical isolation for the wavelength 1480 to 1520 nm.  
 3. These outputs are compatible with 10K, 10KH and 100K ECL and PECL outputs.

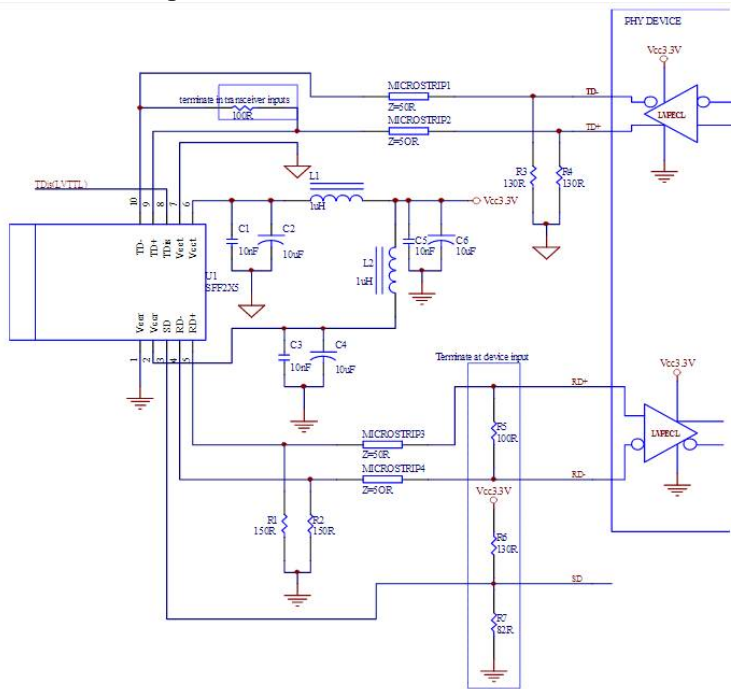
### CONNECTION DIAGRAM



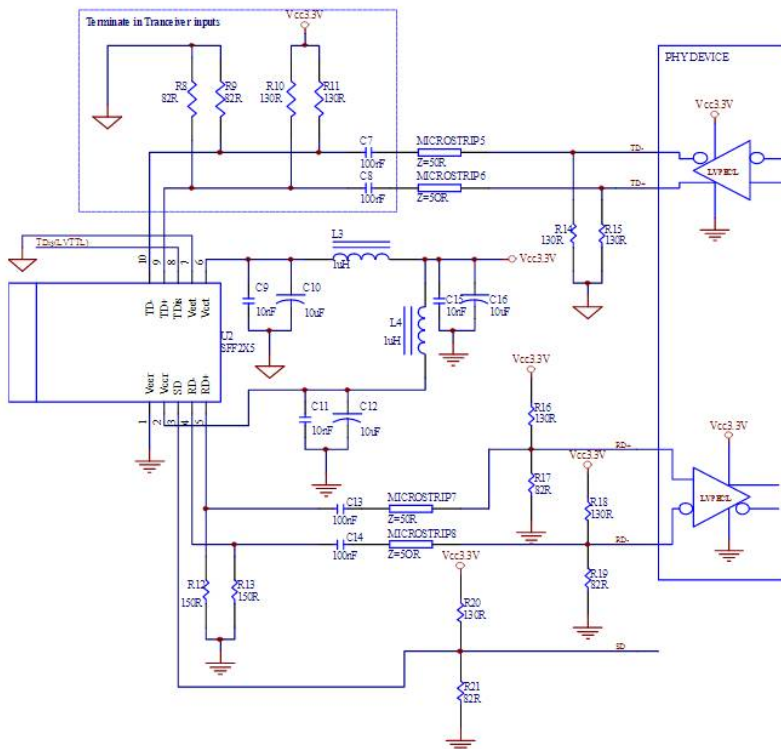
PIN	Symbol	Notes
1	$V_{EEF}$	Directly connect this pin to the receiver ground plane
2	$V_{CCF}$	+3.3V dc power for the receiver section
3	SD	Active high on this indicates a received optical signal.
4	RD-	Receiver Data out Bar. See recommended circuit schematic
5	RD+	Receiver Data out.. See recommended circuit schematic
6	$V_{CCt}$	+3.3V dc power for the transmitter section
7	$V_{EEt}$	Directly connect this pin to the transmitter ground plane
8	TxDIS	Transmitter Disable. Connect this pin to +3.3V TTL logic "1" to disable module To enable module connect to TTL logic low "0"
9	TD+	Transmitter Data in.. See recommended circuit schematic
10	TD-	Transmitter Data in Bar. See recommended circuit schematic
MS	MS	Mounting Studs. Connect to Chassis Ground

\*\*\*\*\*  
**RECOMMENDED CIRCUIT SCHEMATIC**  
 \*\*\*\*\*

1) Recommended DC Coupled Interface Circuit



2) Recommended AC Coupled Interface Circuit

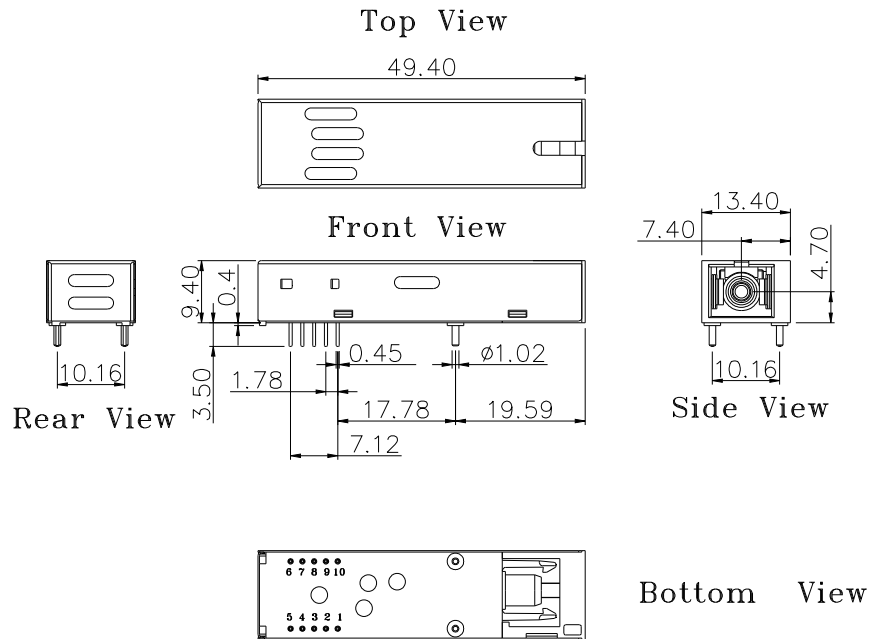


### PACKAGE DIAGRAM

Units in mm

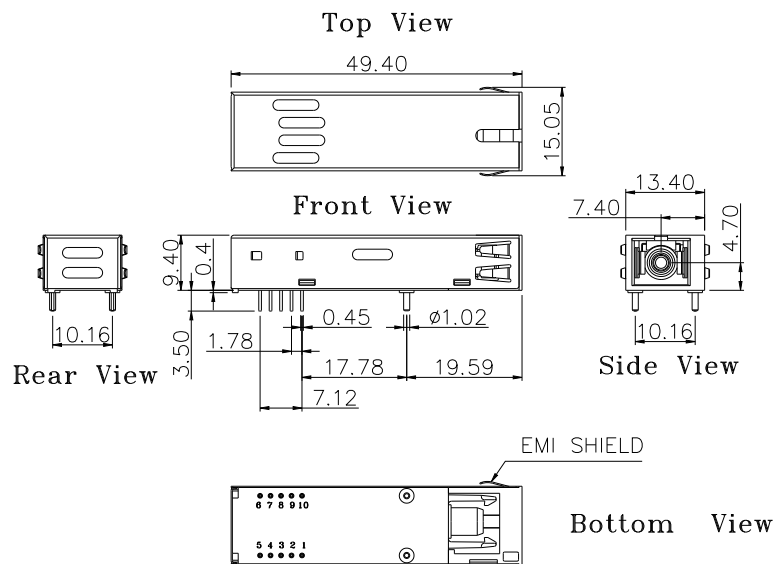
#### 1) SC Receptacle

##### A) Standard Case



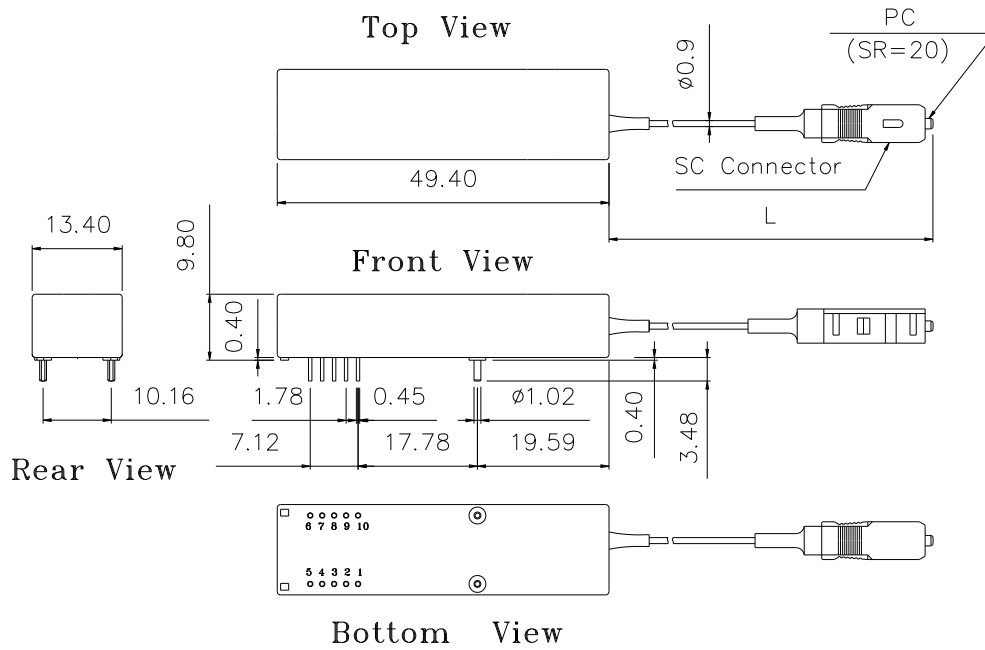
BTRS-5780-1510G / BTRS-5780A-1510G

##### B) Extended Case



BTRS-5780E-1510G / BTRS-5780AE-1510G

### 2) Pigtail



BTRS-5780-1510-SP50G / BTRS-5780A-1510-SP50G

Note: Length L is  $50 \pm 3$  cm. Other pigtail's length is available upon request.

**Note:** Specifications subject to change without notice.