

TRSL-8380W-CXX0G

(RoHS Compliant)

3.3V / CWDM / 4.25 Gbps Digital Diagnostic SFF LC SINGLE-MODE TRANSCEIVER

FEATURES

- | Up to 4.25 Gb/s Bi-directional Data Links
- | Duplex LC Single Mode Transceiver
- | Small Form Factor, RJ-45 size, 2x5 pin Package
- | **18 Wavelength (λ): 1270 nm to 1610 nm CWDM DFB LD Transmitter**
- | 28 dB Power Budget at Least
- | **SFF-8472 Digital Diagnostic Function**
- | AC/AC Coupled Signal Input / Output
- | LVTTTL Transmitter Disable Input
- | LVTTTL Signal Detect Output
- | Single +3.3 V Power Supply
- | **RoHS Compliant**
- | 0 to 70°C Operation
- | Wave Solderable and Aqueous Washable
- | Class 1 Laser International Safety Standard IEC-60825 Compliant

DESCRIPTION

The TRSL-8380-CXX0G series single mode transceivers is small form factor, low power, high performance module for bi-directional serial optical data communications such as 4x/2x/1x Fibre Channel and 1000BASE-LX Gigabit Ethernet. This 2x7 pin SFF transceiver comply with the 2x5 standard package defined by the SFF MSA with the exception of four extra pins for real-time digital diagnostics and transmitter fault indication. Digital diagnostic functions are available via the 2-wire serial interface defined in the SFF-8472 MSA. This module is designed for single mode fiber and operates at a nominal wavelength of CWDM wavelength. There are eighteen center wavelengths available from 1270 nm to 1610 nm, with each step 20 nm. A guaranteed minimum optical link budget of 28 dB is offered. The transmitter section uses a multiple quantum well CWDM DFB laser and is a class 1 laser compliant according to International Safety Standard IEC-60825. The receiver section uses an integrated InGaAs detector preamplifier (IDP) mounted in an optical header and a limiting post-amplifier IC. A PECL logic interface simplifies interface to external circuitry.

APPLICATIONS

- | Tri-rate 1.063/2.125/4.25 Gb/s Fibre Channel
- | 1.25 Gb/s 1000 BASE-LX Gigabit Ethernet

LASER SAFETY

This single mode transceiver is a Class 1 laser product. It complies with IEC-60825 and FDA 21 CFR 1040.10 and 1040.11. The transceiver must be operated within the specified temperature and voltage limits. The optical ports of the module shall be terminated with an optical connector or with a dust plug.

ORDER INFORMATION

P/No.	Bit Rate (Gb/s)	FC-PI	Power Budget (dBm)	Wavelength (nm)	Package	Temp. (°C)	TX Power (dBm)	RX Sens. (dBm)	RoHS Compliant
TRSL-8380W-CXX0G	4 / 2 / 1	400/200/100	> 28	CWDM	2x7 LC with DMI	0 to 70	5 to 1	-27	Yes

CWDM* Wavelength (0 to 70°C)

Central Wavelength	Min. (nm)	Typ. (nm)	Max. (nm)	Central Wavelength	Min. (nm)	Typ. (nm)	Max. (nm)
-C270	1264.5	1270	1277.5	-C450	1444.5	1450	1457.5
-C290	1284.5	1290	1297.5	-C470	1464.5	1470	1477.5
-C310	1304.5	1310	1317.5	-C490	1484.5	1490	1497.5
-C330	1324.5	1330	1337.5	-C510	1504.5	1510	1517.5
-C350	1344.5	1350	1357.5	-C530	1524.5	1530	1537.5
-C370	1364.5	1370	1377.5	-C550	1544.5	1550	1557.5
-C390	1384.5	1390	1397.5	-C570	1564.5	1570	1577.5
-C410	1404.5	1410	1417.5	-C590	1584.5	1590	1597.5
-C430	1424.5	1430	1437.5	-C610	1604.5	1610	1617.5

CWDM*: 18 Wavelengths from 1270 nm to 1610 nm, each step 20 nm.

Absolute Maximum Ratings					
Parameter	Symbol	Min	Max	Units	Notes
Storage Temperature	Tstg	-40	85	°C	
Operating Temperature	Topr	0	70	°C	
Soldering Temperature	---		260	°C	10 seconds on leads only
Power Supply Voltage	Vcc	0	4.5	V	
Input Voltage	---	GND	Vcc	V	
Output Current	Iout	0	30	mA	

Recommended Operating Conditions					
Parameter	Symbol	Min	Typ	Max	Units / Notes
Power Supply Voltage	Vcc	3.13	3.3	3.47	V
Operating Temperature	Topr	0		70	°C / air flow 1m/sec
Data Rate		1	4.25		Gb/s
Power Supply Current	Icc		240	300	mA

Transmitter Specifications (0°C < Topr < 70°C, 3.13V < Vcc < 3.47V)						
Parameter	Symbol	Min	Typ	Max	Units	Notes
Optical						
Optical Transmit Power	Po	1	---	5	dBm	1
Optical Modulation Amplitude @4.25 Gb/s	OMA	1500			μW	
Output Center Wavelength	λ	λc - 5.5	λc	λc + 7.5	nm	2
Output Spectrum Width	Δλ	---		1	nm	-20 dB width
Side Mode Suppression Ratio	SMSR	30			dB	
Optical Rise Time	tr / tf			90	ps	20% to 80% Values
Relative Intensity Noise	RIN			-118	dB/Hz	
Electrical						
Data Input Current – Low	IIL	-350			μA	
Data Input Current – High	IIH			350	μA	
Differential Input Voltage	V _{IH} - V _{IL}	300			mV	
Data Input Voltage – Low	V _{IL} - V _{CC}	-2.0		-1.58	V	2
Data Input Voltage -- High	V _{IH} - V _{CC}	-1.1		-0.74	V	2
Disable Input Voltage -- Low	V _{TDIS,L}	0		0.5	V	TX Output Enabled
Disable Input Voltage -- High	V _{TDIS,H}	Vcc - 1.3		Vcc	V	TX Output Disabled
Shut Off Time for TxDis	t _{DIS}			1	ms	

1. Output power is power coupled into a 9/125 μm single mode fiber.
2. ITU-T G.694.2 CWDM wavelength from 1270 nm to 1610 nm, each step 20 nm.
3. These inputs are compatible with 10K, 10KH and 100K ECL and PECL inputs.

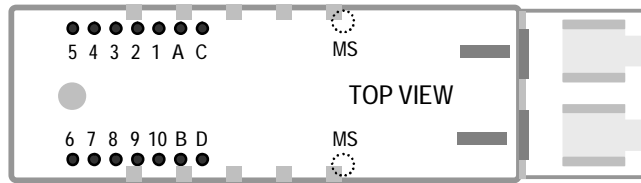
Receiver Specifications (0°C < Topr < 70°C, 3.13V < Vcc < 3.47V)						
Parameter	Symbol	Min	Typ	Max	Units	Notes
Optical						
Sensitivity @ 4.25 Gb/s	Sen1	---	---	2.6	μW	3
				-27	dBm	4
Maximum Input Power	Pin	0		---	dBm	
Signal Detect -- Asserted	Pa	---	---	-18	dBm	Transition: low to high
Signal Detect -- Deasserted	Pd	-31	---	---	dBm	Transition: high to low
Signal detect -- Hysteresis		1.0	---		dB	
Wavelength of Operation		1260	---	1600	nm	
Electrical						
Data Output Voltage – Low	V _{OL} - V _{CC}	-2.0		-1.58	V	5
Data Output Voltage – High	V _{OH} - V _{CC}	-1.1		-0.74	V	5
Signal Detect Output Voltage -- Low	V _{OL}			0.5	V	
Signal Detect Output Voltage -- High	V _{OH}	2.0			V	

3. Measured at PRBS 2⁷-1 at BERT 1E-12.

4. Represents sensitivity based on OMA spec, as corrected to incoming Extinction Ratio of 9 dB. For example, an OMA of 2.6 μW is approximately equal to an average power of -27.7 dBm, average with an Extinction ratio of 9 dB.

5. These outputs are compatible with 10K, 10KH and 100K ECL and PECL outputs.

CONNECTION DIAGRAM



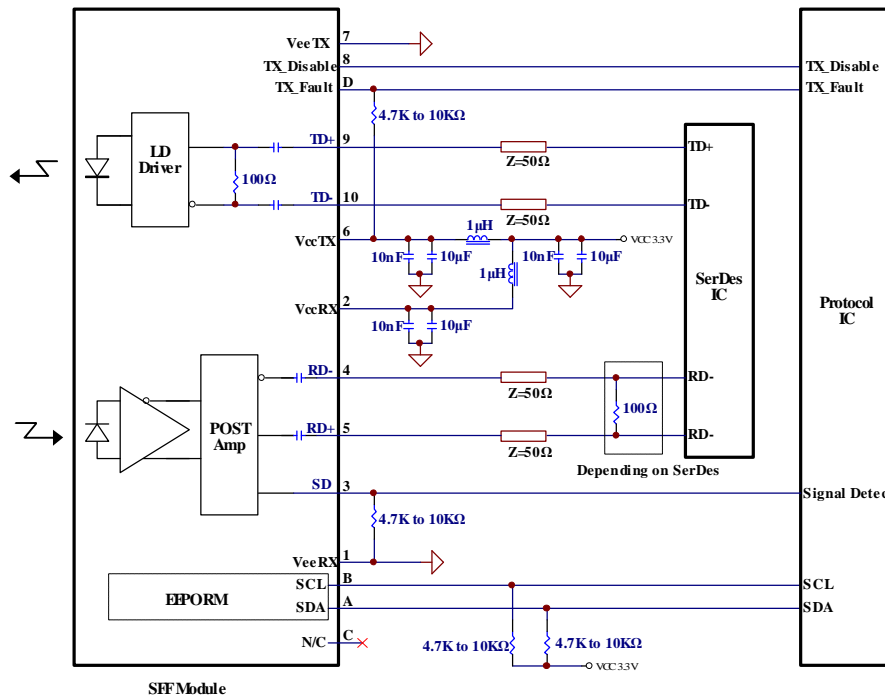
PIN	Signal Name	Description	PIN	Signal Name	Description
C	N/C	Not Connected	D	TX_Fault	Transmitter Fault Indication
A	SDA	Data line of two wire serial interface	B	SCL	Clock line of two wire serial interface
1	VeeRx	Rreceiver ground	10	TD-	Transmitter Data In Bar
2	VccRx	Receiver Power – 3.3V±5%	9	TD+	Transmitter Data In
3	SD	Signal Detect Output	8	TX_Disable	Logic low to enable TXoutput
4	RD-	Receiver Data Out Bar	7	VeeTx	Transmitter ground
5	RD+	Receiver Data Out	6	VccTx	Transmitter Power – 3.3V±5%
MS	MS	Mounting Studs. Connect to Chassis Ground			

Module Definition

Module Definition	MOD-DEF2 PIN A	MOD-DEF1 PIN B	MOD-DEF0	Interpretation by Host
4	SDA	SCL		Serial module definition protocol

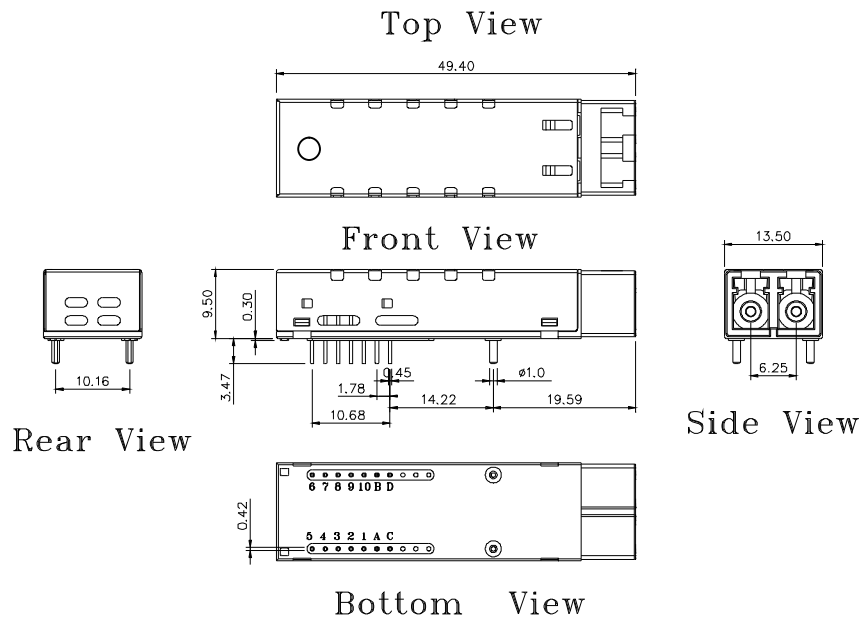
Module Definition 4 specifies a serial definition protocol. For this definition, upon power up, MOD-DEF(1:2) appear as no connector (NC) and MOD-DEF(0) is TTL LOW. When the host system detects this condition, it activates the serial protocol. The protocol uses the 2-wire serial CMOS E²PROM protocol of the ATMEL AT24C01A/02/04 family of components.

Recommended Circuit Schematic



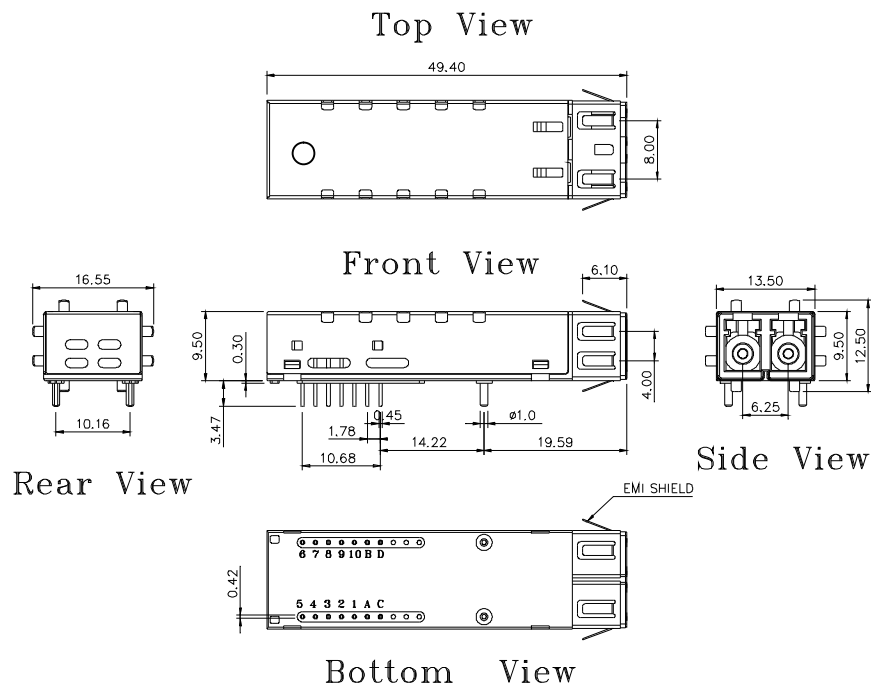
PACKAGE DIAGRAM (Units in mm)

A) Standard Case



TRSL-8380W-CXX0G

B) Extended Case



TRSL-8380W-CXX0EG

Note: Specifications subject to change without notice.