

BTRS-3602MG / BTRS-3602AMG

1310 nm TX / 1550 nm RX , 3.3V / 125 Mbps **RoHS Compliant** Single-Fiber MM Transceiver

FEATURES

- | Single Fiber Bi-Directional MM Transceiver
- | 1310 nm Transmitter
- | 1550 nm Receiver
- | Distance 0 to 2000 m
- | 0 to 70°C Operating: BTRS-3602MG
- | -20 to 85°C Operating: BTRS-3602AMG
- | 2x5 Package with SC Receptacle
- | Single +3.3 V Power Supply
- | RoHS Compliant
- | PECL Differential Inputs and Outputs
- | Wave Solderable and Aqueous Washable
- | Class 1 Laser International Safety Standard IEC-60825 Compliant

APPLICATIONS

- | WDM 155 Mb/s Links
- | SONET/SDH Equipment Interconnect
- | Fast Ethernet 100 Mb/s Links

DESCRIPTION

The BTRS-3602MG series is high performance module for multi-mode single fiber communications by using 1310 nm transmitter and 1550 nm receiver. The transmitter section uses a multiple quantum well laser and is a class 1 laser compliant according to International Safety Standard IEC-60825. The receiver section uses an integrated 1550 nm detector preamplifier (IDP) mounted in an optical header and a limiting post-amplifier IC. A PECL logic interface simplifies interface to external circuitry.

LASER SAFETY

This multi-mode transceiver is a Class 1 laser product. It complies with IEC-60825 and FDA 21 CFR 1040.10 and 1040.11. The transceiver must be operated within the specified temperature and voltage limits. The optical ports of the module shall be terminated with an optical connector or with a dust plug.

ORDER INFORMATION

| P/No. | Bit Rate (Mb/s) | Distance (m) | TX (nm) | RX (nm) | Voltage (V) | Package | Temp (°C) | TX Power (dBm) | RX Sens. (dBm) | RoHS Compliant |
|--------------|-----------------|--------------|---------|---------|-------------|---------|-----------|----------------|----------------|----------------|
| BTRS-3602MG | 125 | 0 to 2000 | 1310 | 1550 | 3.3 | 2X5 SC | 0 to 70 | -8 to -15 | -30 | Yes |
| BTRS-3602AMG | 125 | 0 to 2000 | 1310 | 1550 | 3.3 | 2X5 SC | -20 to 85 | -8 to -15 | -30 | Yes |

Absolute Maximum Ratings

| Parameter | Symbol | Min | Max | Units | Notes |
|-----------------------|--------|----------|----------|-------|-----------------------------|
| Storage Temperature | Tstg | -40 | 85 | °C | |
| Operating Temperature | Topr | 0 -20 | 70 85 | °C | BTRS-3602MG BTRS-3602AMG |
| Soldering Temperature | --- | | 260 | °C | 10 seconds on leads only |
| Power Supply Voltage | Vcc | 0 | 4.5 | V | |
| Input Voltage | --- | GND | Vcc | V | |
| Output Current | Iout | 0 | 30 | mA | |

Recommended Operating Conditions

| Parameter | Symbol | Min | Typ | Max | Units / Notes |
|-----------------------|--------|----------|-----|----------|---------------------------------------|
| Power Supply Voltage | Vcc | 3.13 | 3.3 | 3.47 | V |
| Operating Temperature | Topr | 0 -20 | | 70 85 | °C / BTRS-3602MG °C / BTRS-3602AMG |
| Data Rate | | | 125 | 170 | Mb/s |
| Power Supply Current | Icc | | | 240 | mA |

| Transmitter Specifications (0°C < Topr < 70°C, 3.13V < Vcc < 3.47V) | | | | | | |
|----------------------------------------------------------------------------------------|-----------------------------------|-----------------------|-----|-----------------|-------|--------------------|
| Parameter | Symbol | Min | Typ | Max | Units | Notes |
| Optical | | | | | | |
| Optical Transmit Power | P _o | -15 | | -8 | dBm | 1 |
| Output Center Wavelength | λ | 1260 | | 1360 | nm | |
| Output Spectrum Width | σ _λ | | | 10 | nm | RMS (σ) |
| Extinction Ratio | E _R | 8.2 | | | dB | |
| Optical Rise Time | t _r | | | 2 | ns | 10% to 90% Values |
| Optical Fall Time | t _f | | | 2 | ns | 10% to 90% Values |
| Relative Intensity Noise | RIN | | | -116 | dB/Hz | |
| Total Jitter | TJ | | | 1 | ns | 2 |
| Electrical | | | | | | |
| Data Input Current – Low | I _{IL} | -350 | | | μA | |
| Data Input Current – High | I _{IH} | | | 350 | μA | |
| Differential Input Voltage | V _{IH} - V _{IL} | 300 | | 1600 | mV | |
| Data Input Voltage – Low | V _{IL} - V _{CC} | -2.0 | | -1.58 | V | 3 |
| Data Input Voltage -- High | V _{IH} - V _{CC} | -1.1 | | -0.74 | V | 3 |
| Disable Input Voltage -- Low | V _{TDISL} | 0 | | 0.8 | V | TX Output Enabled |
| Disable Input Voltage -- High | V _{TDISH} | V _{CC} - 1.3 | | V _{CC} | V | TX Output Disabled |
| Shut Off Time for TxDis | t _{DIS} | | | 1 | ms | |

- Notes: 1. Output power is power coupled into a 62.5/125 μm multi-mode fiber.
 2. Measured with a 2²³-1 PRBS with 72 ones and 72 zeros.
 3. These inputs are compatible with 10K, 10KH and 100K ECL and LVPECL inputs.

| Receiver Specifications (0°C < Topr < 70°C, 3.13 V < Vcc < 3.47V) | | | | | | |
|--------------------------------------------------------------------------------------|-----------------------------------|------|-----|-------|-------|-------------------------|
| Parameter | Symbol | Min | Typ | Max | Units | Notes |
| Optical | | | | | | |
| Sensitivity | --- | --- | --- | -30 | dBm | 1 |
| Maximum Input Power | P _{in} | -8 | --- | --- | dBm | |
| Signal Detect -- Asserted | P _a | --- | --- | -30 | dBm | Transition: low to high |
| Signal Detect -- Deasserted | P _d | -43 | --- | --- | dBm | Transition: high to low |
| Signal detect -- Hysteresis | | 1.0 | --- | 4.0 | dB | |
| Wavelength of Operation | | 1480 | | 1580 | nm | 2 |
| Optical Return Loss | ORL | 14 | | | dB | |
| Electrical | | | | | | |
| Data Output Voltage – Low | V _{OL} - V _{CC} | -2.0 | | -1.58 | V | 3 |
| Data Output Voltage – High | V _{OH} - V _{CC} | -1.1 | | -0.74 | V | 3 |
| SD Output Voltage -- Low | V _{OL} - V _{CC} | -2.0 | | -1.58 | V | 3 |
| SD Output Voltage -- High | V _{OH} - V _{CC} | -1.1 | | -0.74 | V | 3 |
| Signal Detect Assert Time | A _S MAX | | | 100 | μs | OFF to ON |
| Signal Detect Deassert Time | A _N SMAX | | | 300 | μs | ON to OFF |

- Notes: 1. Minimum sensitivity and saturation levels at BER 1E-10 for a 2⁷-1 PRBS.
 2. At least 30 dB optical isolation for the wavelength 1260 to 1360 nm.
 3. These outputs are compatible with 10K, 10KH and 100K ECL and LVPECL outputs.

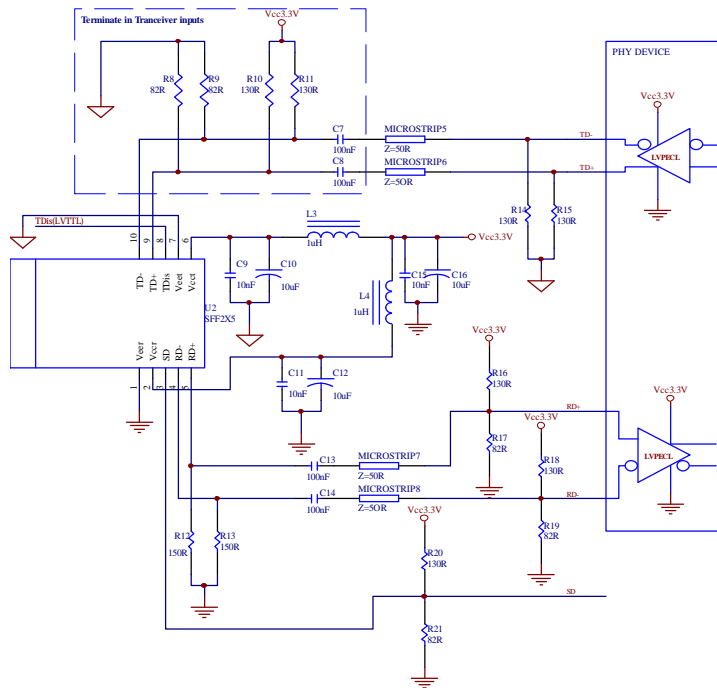
CONNECTION DIAGRAM



| PIN | Symbol | Notes |
|-----|------------|---------------------------------------------------------------------------------------------------------------------------------|
| 1 | V_{EE}^r | Directly connect this pin to the receiver ground plane |
| 2 | V_{CC}^r | +3.3V dc power for the receiver section |
| 3 | SD | Active high on this indicates a received optical signal. |
| 4 | RD- | Receiver Dataout Bar. See recommended circuit schematic |
| 5 | RD+ | Receiver Dataout. See recommended circuit schematic |
| 6 | V_{CC}^t | +3.3V dc power for the transmitter section |
| 7 | V_{EE}^t | Directly connect this plan to the transmitter ground plane |
| 8 | TxDis | Transmitter Disable. Connect this pin to +3.3V TTL logic "1" to disable module To enable module connect to TTL logic low "0" |
| 9 | TD+ | Transmitter Data In. See recommended circuit schematic |
| 10 | TD- | Transmitter Data In Bar. See recommended circuit schematic |
| MS | MS | Mounting Studs. Connect to Chassis Ground |

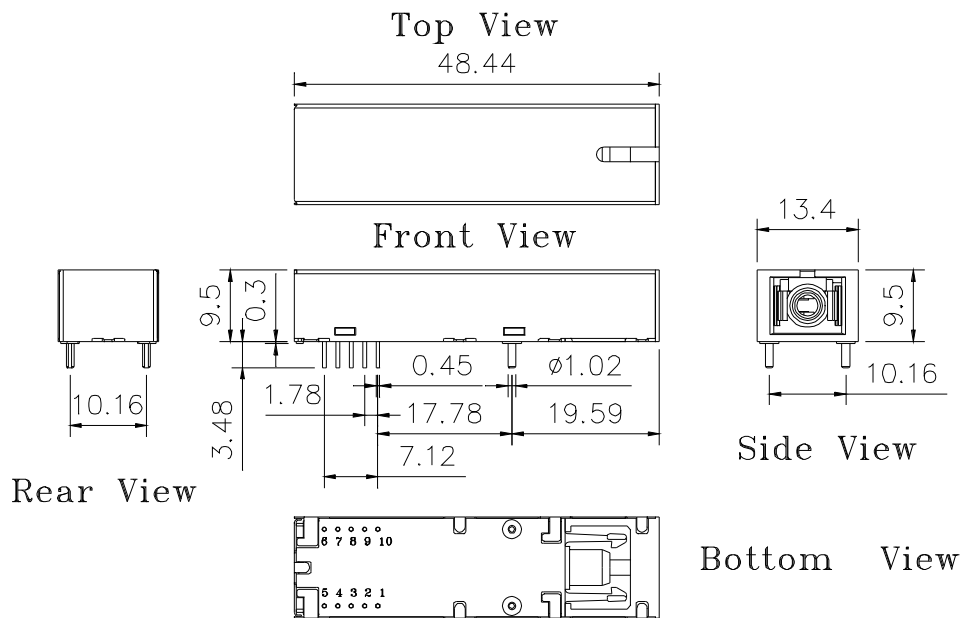
RECOMMENDED CIRCUIT SCHEMATIC

Recommended AC Coupled Interface Circuit



PACKAGE DIAGRAM

Units in mm



Note: Specifications subject to change without notice.