

FEATURES

- ◇ InGaAs/InP PIN Photodiode with AGC transimpedance amplifier
- ◇ Differential ended output
- ◇ Single +3.3V operation
- ◇ Speed Up to 1.25 Gbps
- ◇ -40~+85 °C operation temperature

DESCRIPTION

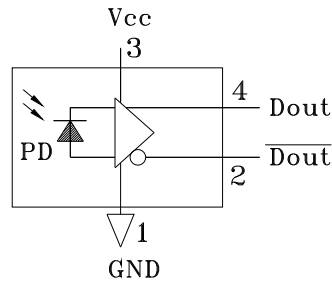
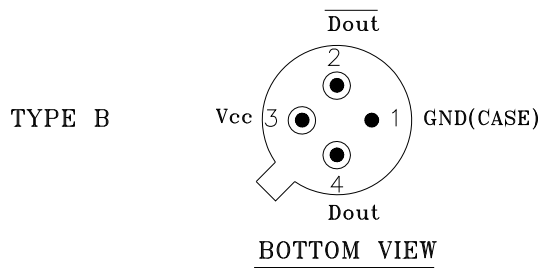
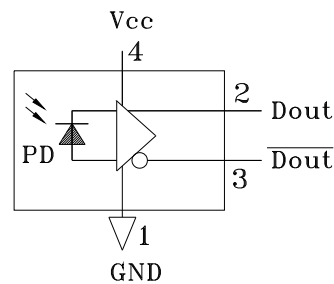
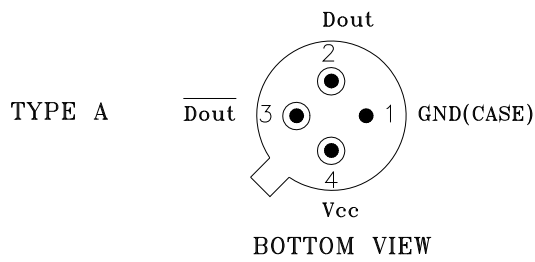
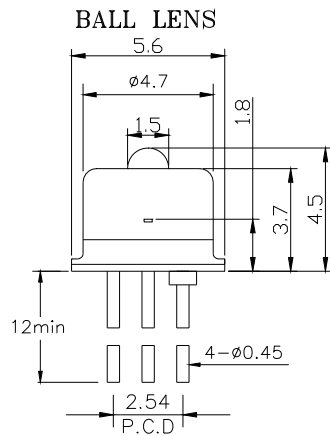
PT-7130 series is designed as optical receivers with transimpedance amplifier. Their wide dynamic ranges, differential outputs are suited for Datacom and Telecom applications , especially Gigabit Ethernet, Fiber Channel, and SONET OC-24/SDH STM-8.

AC / ELECTRICAL AND OPTICAL CHARACTERISTICS (T _C =25°C)						
Symbol	Parameter	Test Conditions	Min.	Typ.	Max.	Unit
	Detection Range		1100	1310	1650	nm
	Active Area			75		μm
G	Differential Gain	AC coupled, Load=50 Ω	6	8	10	V/mW
BW	Bandwidth	-3 dB point	850	-	-	MHz
Psat	Saturation Power	λ =1300nm	-3	-	-	dBm
Sens	Sensitivity	BER=10 ⁻¹² @1.25Gbps	-	-	-24	dBm
Rout	Output Resistance		-	50	65	ohm
	Speed			1250		Mbps

DC / ELECTRICAL CHARACTERISTICS (T _C =25°C)					
Symbol	Parameter	Min.	Typ.	Max.	Unit
V _{CC}	Power Supply	3.1	3.3	3.5	V
I _{CC}	Supply Current (no load)	-	-	40	mA

ABSOLUTE MAXIMUM RATING (T _C =25 °C)			
Symbol	Parameter	Value	Unit
V	Voltage	4.5	V
T _{opr}	Operating Temperature	-40~+85	°C
T _{stg}	Storage Temperature	-40~+85	°C

MECHANICAL DIMENSION (mm) and PIN ASSIGNMENT



Note: Specifications subject to change without notice.

ORDER INFORMATION

Part No.: P T - 7 1 3 0

Code	PIN Assignment
Blank	Type A
B	Type B

Revision History

Version	Subject	Release Date
1.0	Initial datasheet	2003/2/1
